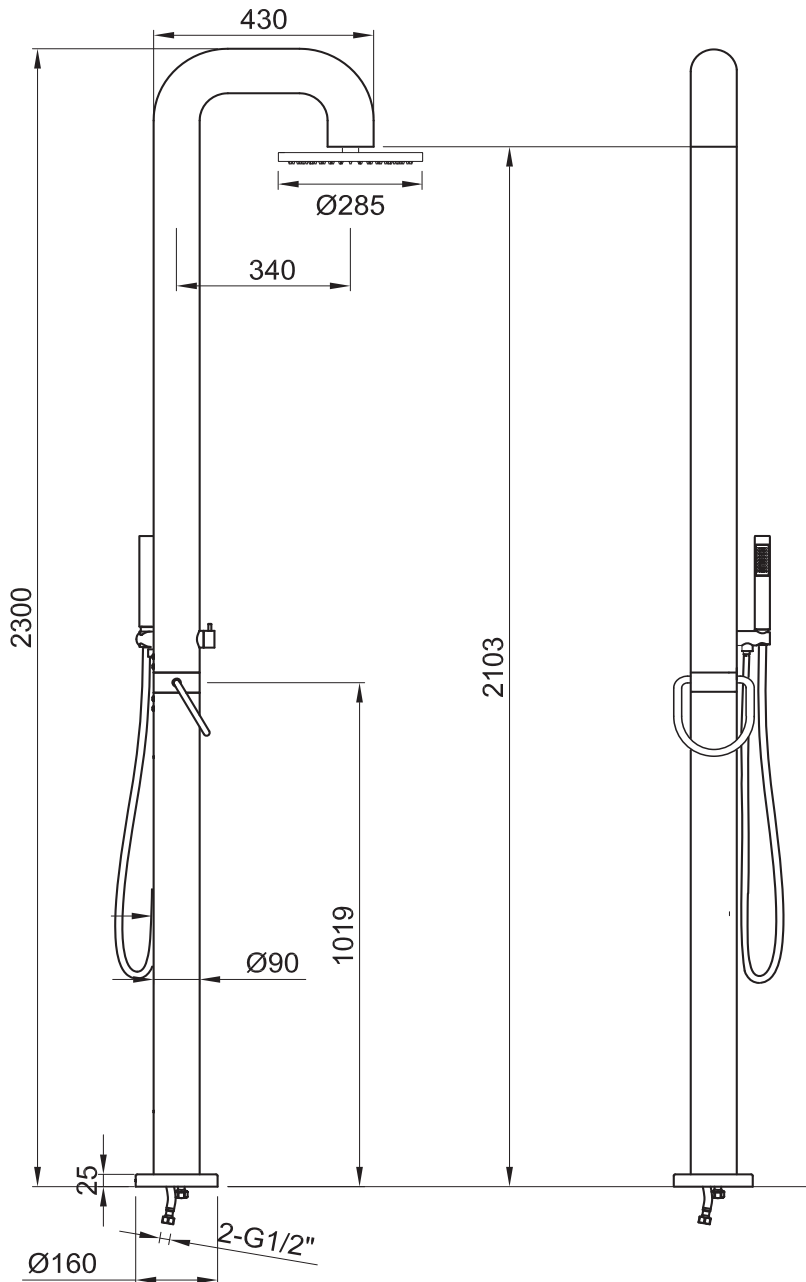
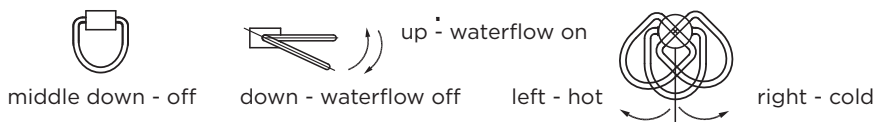




JEE-O fatline shower 02



interchangeable showerhead ø85 mm included



Article code:	200-6210 ● Brushed	Connection:	2 x G 1/2" (ø15mm / 0.6") nylon ^(out) /epdm ⁽ⁱⁿ⁾ flexhose with stainless steel swivel British Standard Pipe (BSP)
Material:	Stainless Steel r316	Thread:	
Cleaning instructions:	download JEE-O shower and taps manual on our website: www.jee-o.com	Dimension package:	L 161 x W 27 W 66 x H 24 cm
Cartridges:	Kerox ceramic mixing mechanism (35mm), item code 005-0101 and JEE-O ceramic diverter mechanism, item code 005-0302	Total weight:	18,7 kg
Interchangeable shower heads	ø285mm/127 nozzles, item code 200-6140 ø85mm/ 78 nozzles, item code 200-6120	Package weight:	3,2 kg
Flow at water of 38°C / 100,4°F:	12l p/m at 3bar pressure	Placing on a water-tight floor	
Flexhose:	150 cm length	7 year warranty - The general conditions can be found on our website: www.jee-o.com/downloads	
		HS code:	84818011900
		Approvals:	SLS BS EN 817, SS 375, AS/NZS 4020, BS EN

