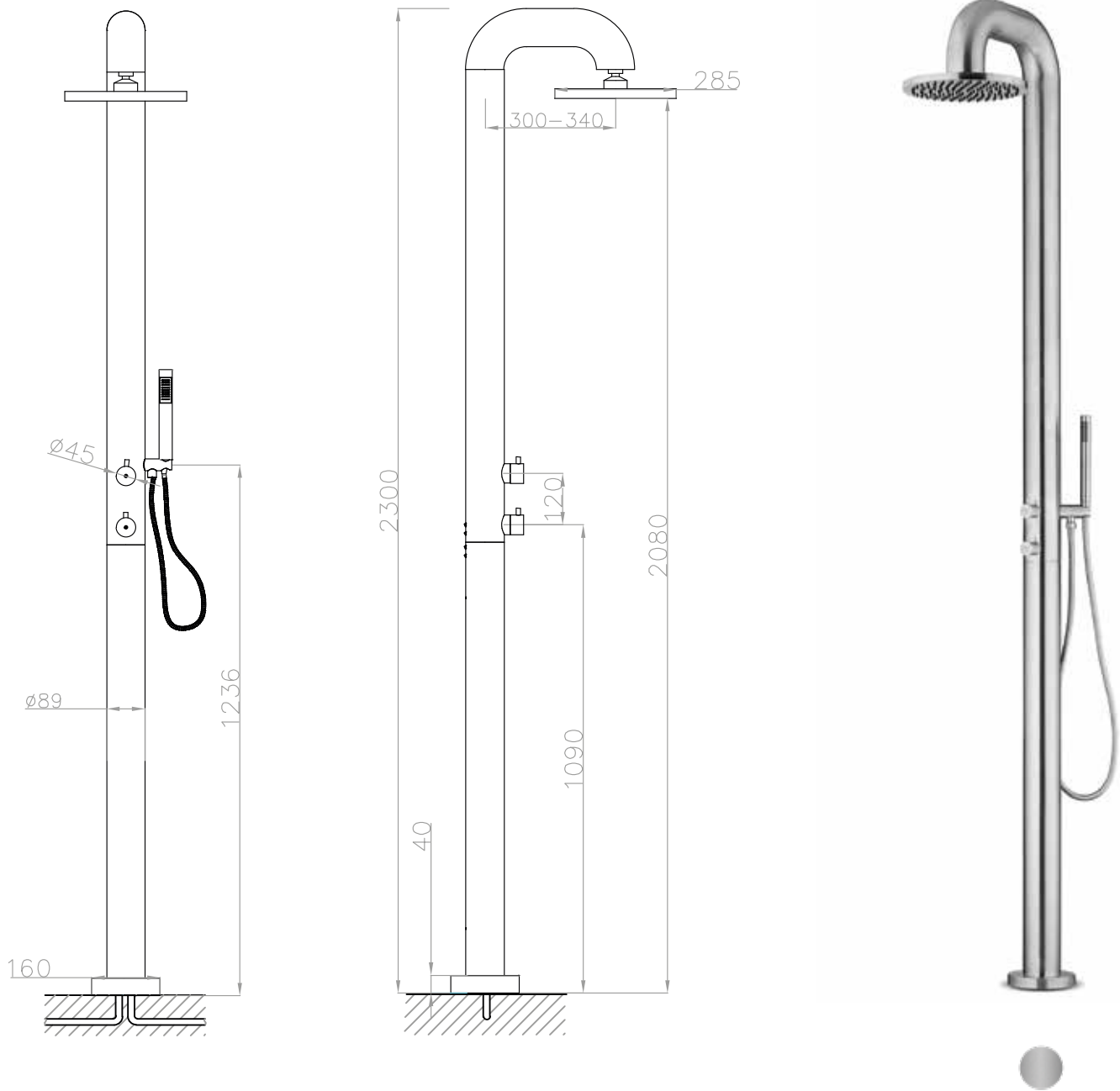




JEE-O fatline shower O2TH



Article code: **200-6310**
 ● Brushed
 Material: **Stainless Steel r316**
 Cleaning instructions: **download JEE-O shower and taps manual on our website: www.jee-o.com**
 Cartridges: **Sedal mixing mechanism (thermostatic) item code 005-0103 and JEE-O ceramic diverter mechanism, itme code 005-0401**
 Flow at water of 38°C /100,4°F: **10L gal p/m at 3bar pressure**
 Flexhose: **150 cm length**

Connection: **2 x G 1/2" (ø15mm / 0.6") nylon^(out)/epdm⁽ⁱⁿ⁾ flexhose with brass swivel British Standard Pipe (BSP)**
 Thread:
 Dimension package: **L 158 x W 18 W 54 x H 21 cm**
 Total weight: **18 kg**
 Package weight: **2.0 kg**
 Placing on a water-tight floor
 7 year warranty - The general conditions can be found on our website: www.jee-o.com/downloads
 HS code: **84818011900**

Approvals:



JEE-O fatline shower O2TH specifications | November 2022

Models are subject to change and specs may contain typographical errors

Slight variations in the aesthetic appearance of the product, including the color, may occur after exposure to external influences such as sunlight, pollution or harmful chemicals