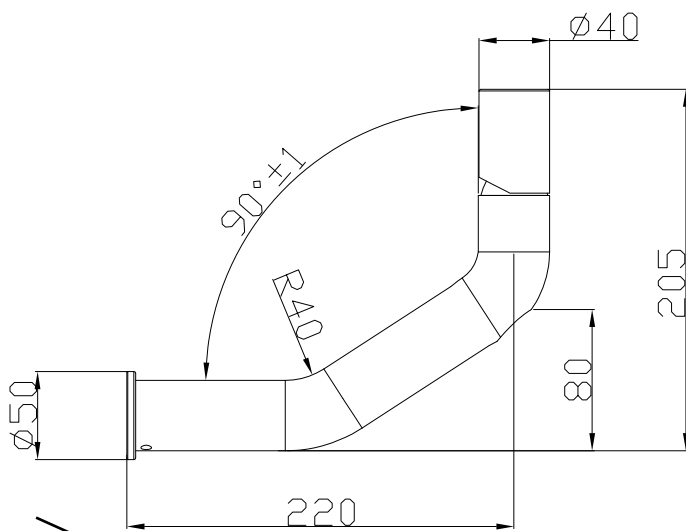




JEE-O flow wall basin mixer



Article code:	500-1500	Connection:	2 x G 1/2" (ø15mm / 0.6")
	● Brushed	Thread:	British Standard Pipe (BSP)
Material:	Stainless Steel r304	Dimension package:	L 55 x W 34 x H 11 cm
Cleaning instructions:	download JEE-O shower and taps manual on our website: www.jee-o.com	Total weight:	2.5 kg
Cartridge:	Sedal/Kerox ceramic mixing mechanism (35mm), item code 005-0101	Package weight:	0.55 kg
Flow at water of 38°C:	7L p/m at 3Bar pressure	7 year warranty - The general conditions can be found on our website: www.jee-o.com/downloads	
Pressure:	Recommended working pressure 3Bar	HS code:	84818011900