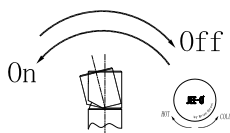
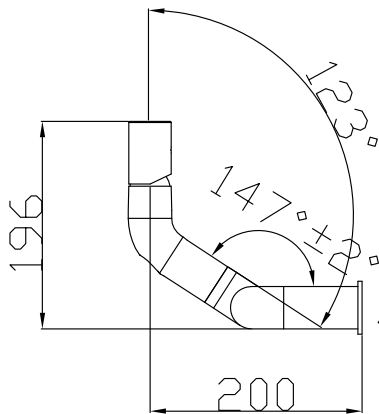
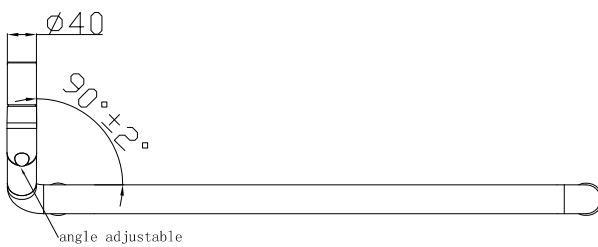
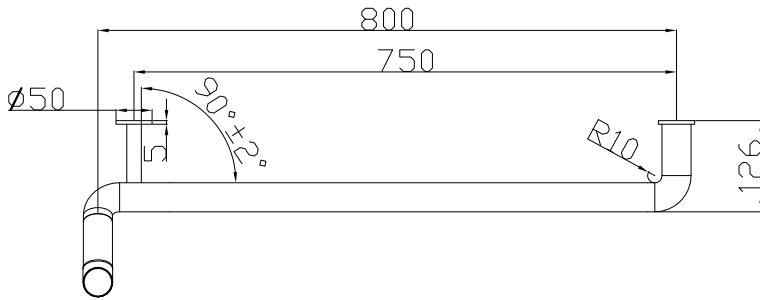




JEE-O flow wall basin mixer towel bar



* shown here 500-1570

Article code:	500-1520 (faucet right, towel bar left) ● Brushed	Connection: Thread:	2 x G 1/2" (ø15mm / 0.6") British Standard Pipe (BSP)
	500-1570 (faucet left, towel bar right)* ● Brushed	Dimension package: Total weight: Package weight:	L 91 x W 31 x H 15 cm 4.94 kg 1.4 kg
Material:	Stainless Steel r304	7 year warranty - The general conditions can be found on our website: www.jee-o.com/downloads	
Cleaning instructions:	download JEE-O shower and taps manual on our website: www.jee-o.com		
Cartridge:	Sedal/Kerox ceramic mixing mechanism (35mm), item code 005-0101		
Flow at water of 38°C:	7L p/m at 3Bar pressure		
Pressure:	Recommended working pressure 3Bar	HS code:	84818011900