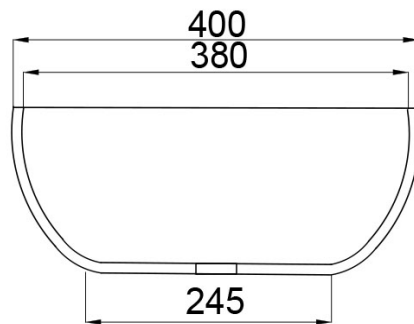
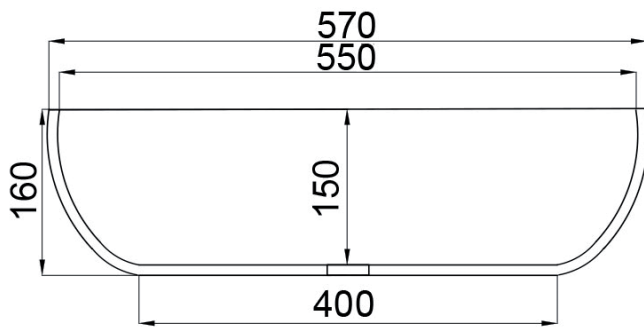
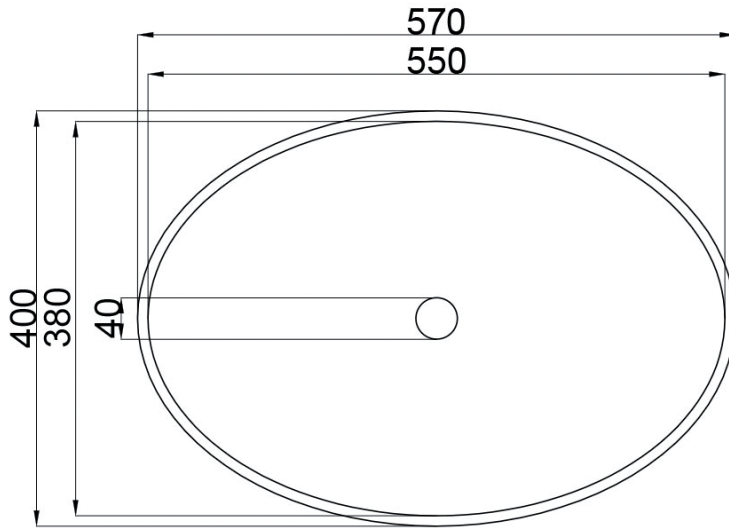




JEE-O moloko basin specifications



Article code: SWMBAS20
● White DADOquartz

Material: DADOquartz - Scratch & abrasion resistant

Waste diameter: 40mm

Dimensions: L 57 x W 40 x H 16 cm
Basin rim: 1cm
Net weight: 15kg

Note: cast products are subject to size variation of +/-5 %

Dimension package: L 60 x W 45 x H 19 cm
Package weight: 5kg

UV stability: 6 / BSEN438

25 year warranty - The general conditions can be found on our website: www.jee-o.com/downloads

HS code: 68109900
European Standard: NEN-EN 14688-2015

