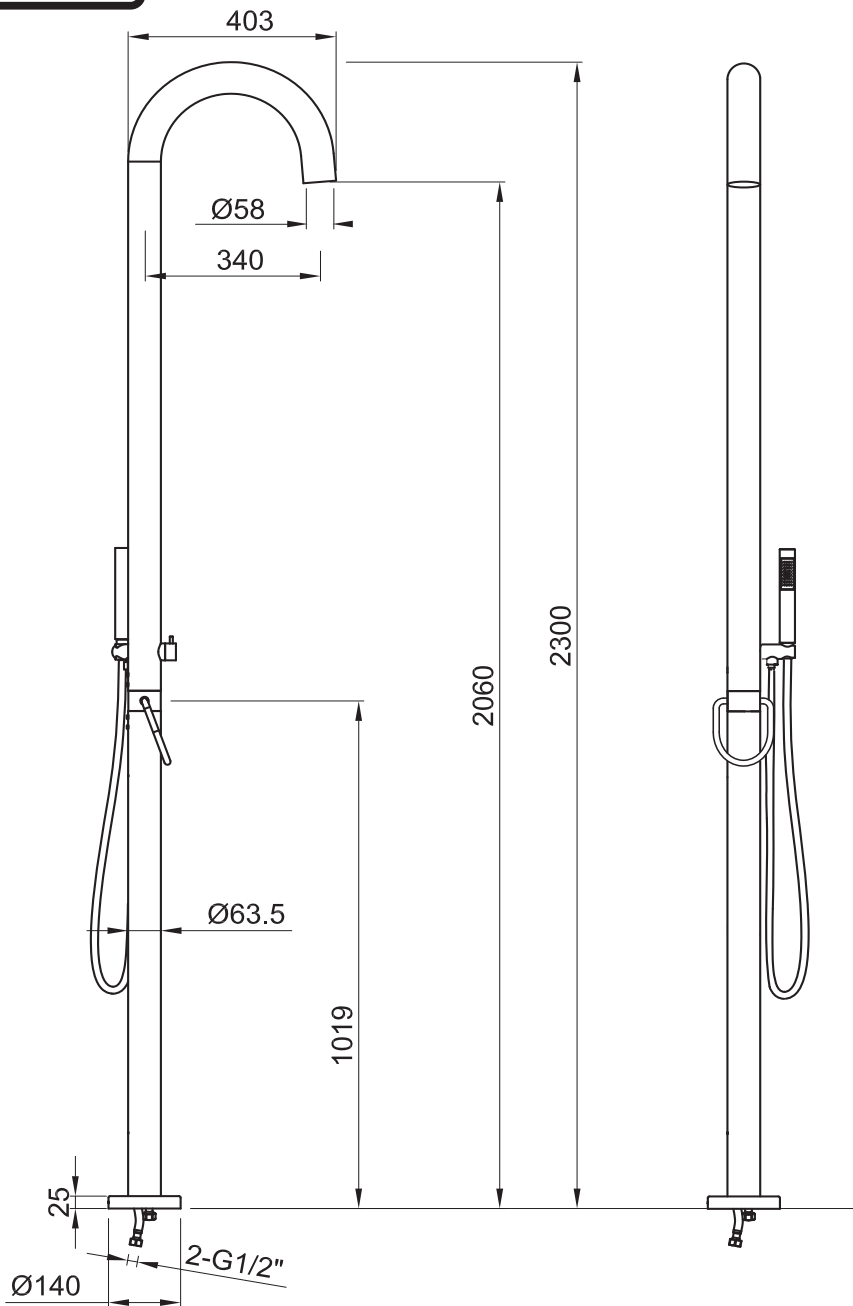
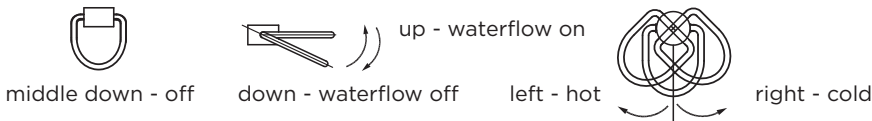




# JEE-O original shower 02



interchangeable showerhead ø150 mm included



Article code:

100-6210  
● Brushed

Material:

Stainless Steel r316

Cleaning instructions:

download JEE-O shower and taps manual on our website: [www.jee-o.com](http://www.jee-o.com)

Cartridges:

Kerox ceramic mixing mechanism (35mm), item code 005-0101 and JEE-O ceramic diverter mechanism, item code 005-0302

Interchangeable shower heads

ø58mm/43 nozzles, item code 100-6120  
ø150mm/100 nozzles, item code 100-6140

Flow at water of 38°C / 100,4°F:

12l p/m at 3bar pressure

Flexhose:

150 cm length

Connection:

2 x G 1/2" (ø15mm / 0.6")  
nylon<sup>(out)</sup>/epdm<sup>(in)</sup> flexhose  
with stainless steel swivel  
British Standard Pipe (BSP)

Thread:

Dimension package:

Total weight:

Package weight:

L 159 x W 27 W 66 x H 21 cm  
14,5 kg  
3,2 kg

Placing on a water-tight floor

7 year warranty - The general conditions can be found on our website: [www.jee-o.com/downloads](http://www.jee-o.com/downloads)

HS code:

84818011900

Approvals:

SLS BS EN 817, SS 375,  
AS/NZS 4020, BS EN

