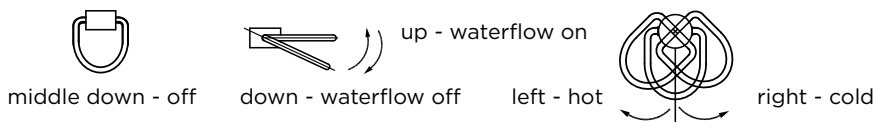
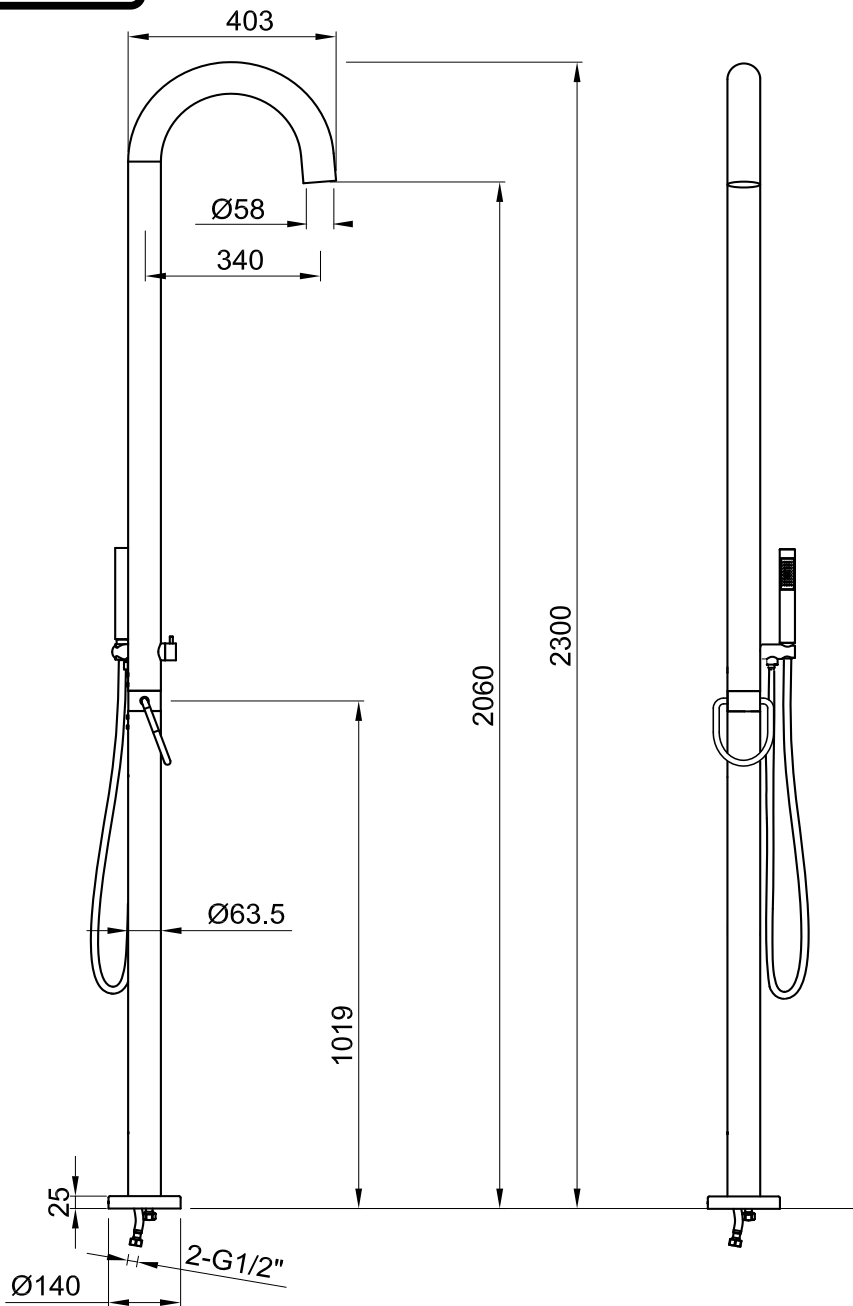




# JEE-O original shower 02



Article code:	100-6210	Connection:	2 x G 1/2" (ø15mm / 0.6") nylon <sup>(out)</sup> /epdm <sup>(in)</sup> flexhose with stainless steel swivel British Standard Pipe (BSP)
	● Brushed	Thread:	
Material:	Stainless Steel r316	Dimension package:	L 159 x W 27 W 66 x H 21 cm
Cleaning instructions:	download JEE-O shower and taps manual on our website: <a href="http://www.jee-o.com">www.jee-o.com</a>	Total weight:	14,5 kg
Cartridges:	Kerox ceramic mixing mechanism (35mm), item code 005-0101 and JEE-O ceramic diverter mechanism, item code 005-0302	Package weight:	3,2 kg
Interchangeable shower heads	ø58mm/43 nozzles, item code 101-6120 ø150mm/100 nozzles, item code 101-6140	Placing on a water-tight floor	
Flow at water of 38°C:	12l p/m at 3Bar pressure	7 year warranty - The general conditions can be found on our website: <a href="http://www.jee-o.com/downloads">www.jee-o.com/downloads</a>	
Pressure:	Recommended working pressure 3Bar	HS code:	84818011900
Flexhose:	150 cm length	Approvals:	SLS BS EN 817, SS 375, AS/NZS 4020, BS EN

