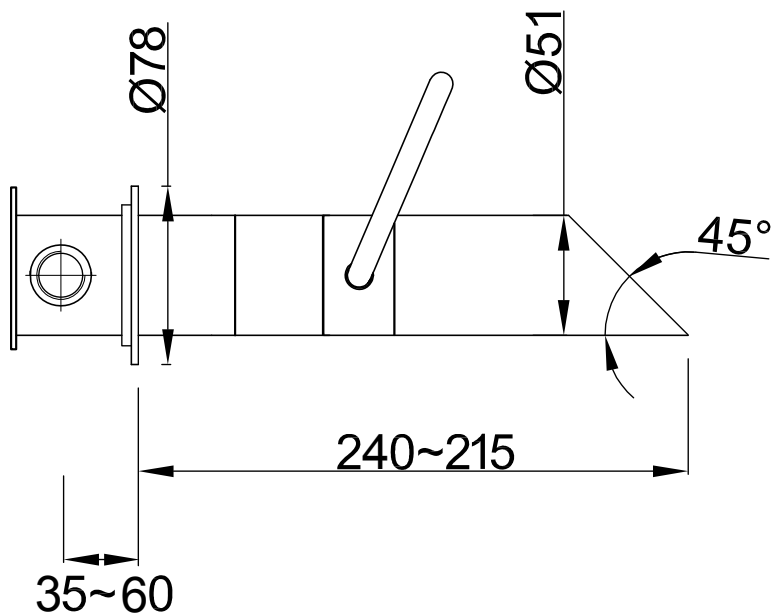
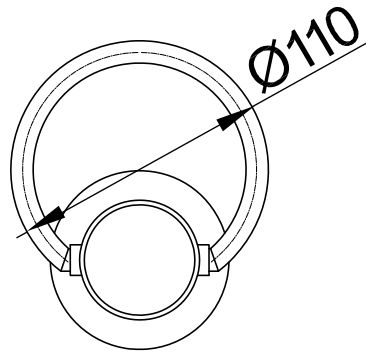
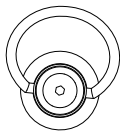




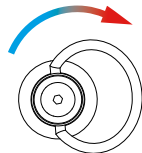
JEE-O pure wall basin mixer



middle off



right water flow



Article code:	300-1500	Connection:	2 x G 1/2" (ø15mm / 0.6")
	● Brushed	Thread:	British Standard Pipe (BSP)
Material:	Stainless Steel r304	Dimension package:	L 38 x W 27 x H 16 cm
Cleaning instructions:	download JEE-O shower and taps manual on our website: www.jee-o.com	Total weight:	2.6 kg
Cartridge:	Kerox ceramic mixing mechanism (progressive), item code 005-0201	Package weight:	0.4 kg
Flow at water of 38°C /100,4°F:	9L p/m at 3bar pressure	7 year warranty - The general conditions can be found on our website: www.jee-o.com/downloads	
		HS code:	84818011900
		Approvals:	SLS BS EN 817