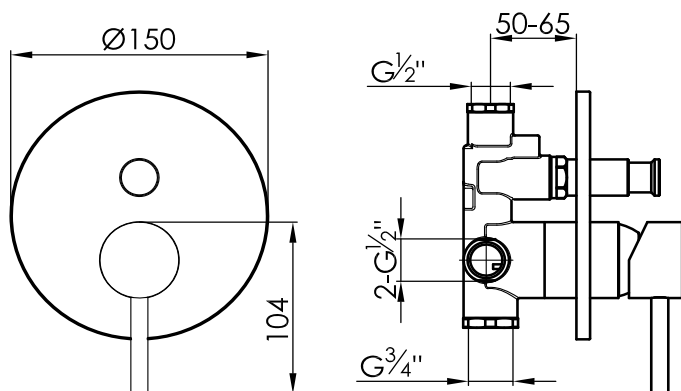




JEE-O slimline mixer 02



Article code:	<p>800-2200 Brushed</p> <p>800-2203 Structured black</p> <p>800-2204 PVD coated bronze</p> <p>800-2205 PVD coated matt gold</p> <p>800-2209 PVD coated dark steel</p>	Connection:	1 x G 3/4" (ø19mm / 0.75") 3 x G 1/2" (ø15mm / 0.6") British Standard Pipe (BSP)
Material:	Stainless Steel r304	Thread:	British Standard Pipe (BSP)
Cleaning instructions:	download JEE-O shower and taps manual on our website: www.jee-o.com	Dimension package:	L 22 x W 18 x H 19 cm
Cartridge:	Sedal ceramic mixing mechanism (40mm), item code 005-0102	Total weight:	1.82 kg
Flow at water of 38°C:	11l p/m at 3Bar pressure	Package weight:	0.42 kg
Pressure:	Recommended working pressure 3Bar	7 year warranty - The general conditions can be found on our website: www.jee-o.com/downloads	
		HS code:	84818011900
		Approvals:	SLS BS EN 817