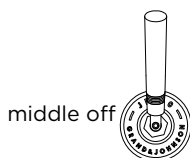
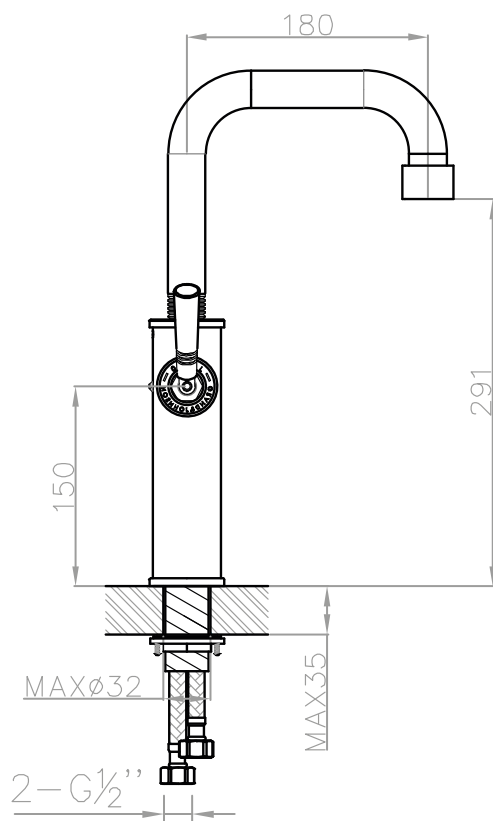
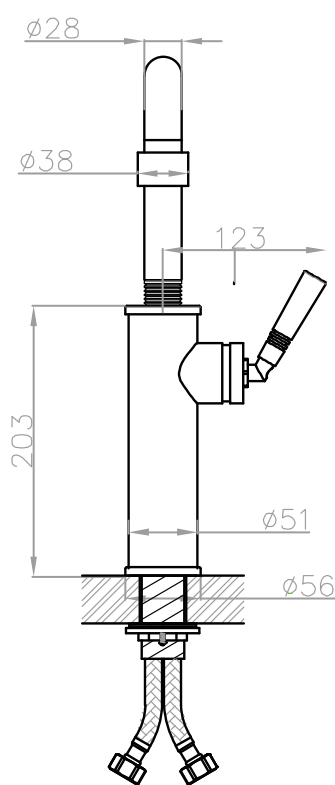
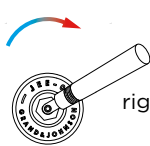




# JEE-O soho basin/kitchen mixer



middle off



right water spout



Article code:

700-1750

● RAW

700-1752

● 1.5 Electro powder spray hammercoated black

Material:

Stainless Steel r304

Cleaning instructions:

download JEE-O shower and taps manual on our website: [www.jee-o.com](http://www.jee-o.com)

Cartridge:

Sedal ceramic mixing mechanism (progressive), item code 005-0105

Flow at water of 38°C:

8l p/m at 3Bar pressure

Pressure:

Recommended working pressure 3Bar

Connection:

2 x G 1/2" (ø15mm / 0.6" ) nylon<sup>(out)</sup>/epdm<sup>(in)</sup> flexhose with brass swivel British Standard Pipe (BSP)

Thread:

Dimension package:

L 56 x W 35 x H 17 cm

Total weight:

3.2 kg

Package weight:

0.9 kg

7 year warranty - The general conditions can be found on our website: [www.jee-o.com/downloads](http://www.jee-o.com/downloads)

HS code:

84818011

Approvals:

SLS BS EN 817, SS 375, AS/NZS 4020, BS EN

