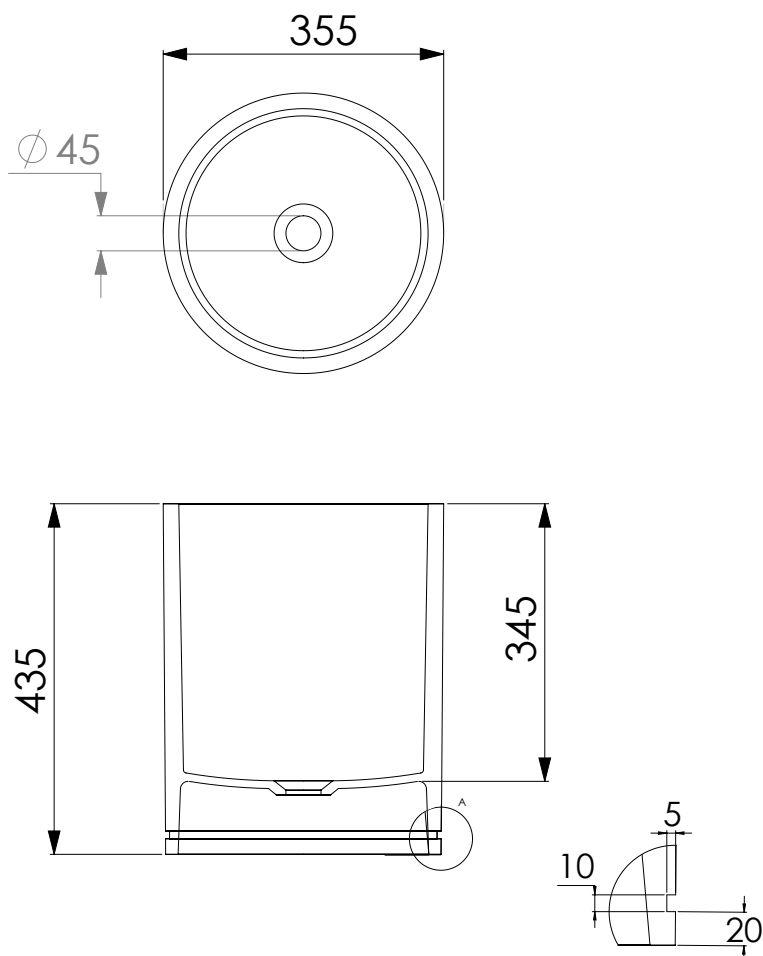




# JEE-O soho basin



Article code: **SWMBAS70**  
● White DADOquartz  
**SWMBAS70 - black RAL 9005**  
● Spray painted outside matt

Material: DADOquartz - Scratch & abrasion resistant

Coating: Spray painted matt

Waste diameter: 45mm

Dimensions: L 35.5 x W 35.5 x H 43.5 cm  
Basin rim: 2 cm  
Net weight: 20kg

Note: cast products are subject to size variation of +/-5 %

Dimension package: L 40 x W 40 x H 50 mm  
Package weight: 5kg

UV stability: 6 / BSEN438

25 year warranty - The general conditions can be found on our website: [www.jee-o.com/downloads](http://www.jee-o.com/downloads)

HS code: 68109900  
European Standard: NEN-EN 14688-2015

