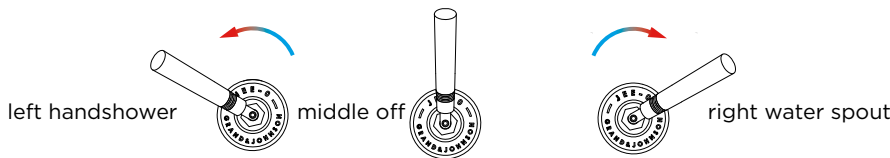
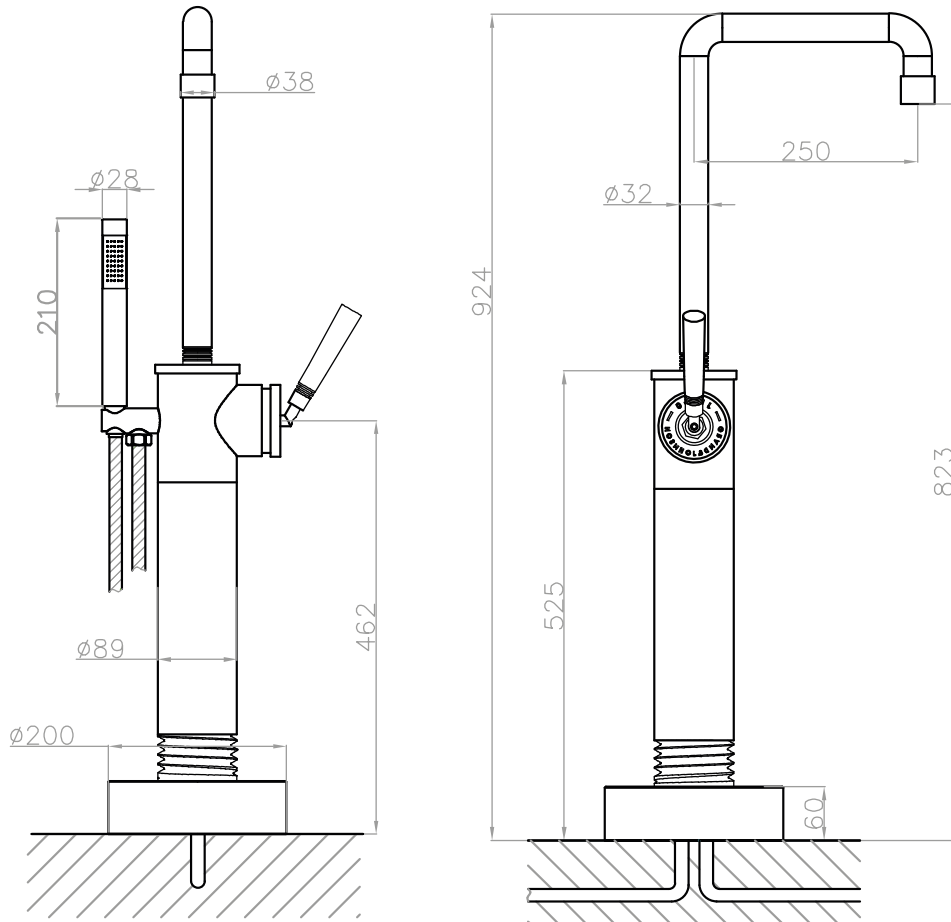




JEE-O soho bath mixer



Article code:	700-3110 ● RAW 700-3112 ● 1.5 Electro powder spray hammercoated black	Connection:	2 x G 1/2" (ø15mm / 0.6") nylon ^(out) /epdm ⁽ⁱⁿ⁾ flexhose with brass swivel British Standard Pipe (BSP)
Material:	Stainless Steel r304	Thread:	
Cleaning instructions:	download JEE-O shower and taps manual on our website: www.jee-o.com	Dimension package:	L 103 x W 59 x H 22 cm
Cartridge:	Kerox ceramic mixing mechanism (progressive), item code 005-0203	Total weight:	11.2 kg
Flow at water of 38°C:	11l p/m at 3bar pressure	Package weight:	2.6 kg
Pressure:	Recommended working pressure 3Bar	Placing on a water-tight floor	
Flexhose:	150 cm length, black	7 year warranty - The general conditions can be found on our website: www.jee-o.com/downloads	
		HS code:	84818011
		Approvals:	SLS BS EN 817

