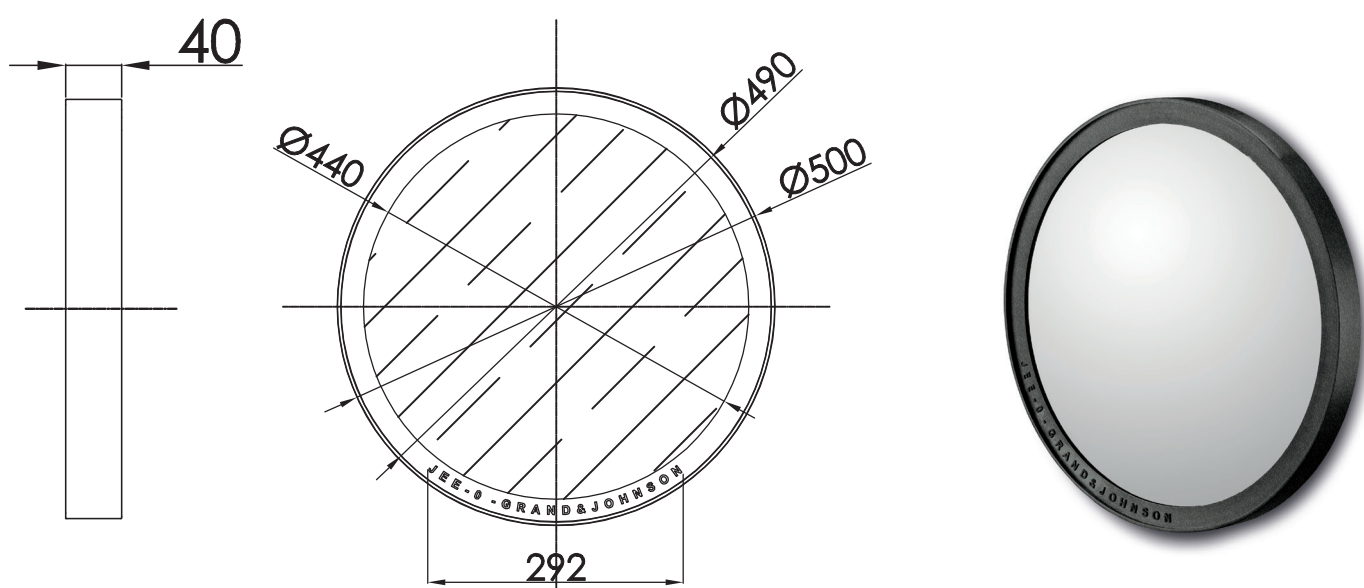




JEE-O soho mirror 50



Article code:

701-0120

● RAW

701-0122

● 1.5 Electro powder spray hammercoated black

Material:

European mirror glass (6mm) and
Stainless Steel r304

Cleaning instructions:

download JEE-O shower and taps manual
on our website: www.jee-o.com

Dimension package:

L 54 x W 54 x H 8 cm

Total weight:

4.34 kg

Package weight:

0.96 kg

7 year warranty - The general conditions can be
found on our website: www.jee-o.com/downloads

HS code:

70099200

JEE-O soho mirror 50 specifications | August 2021

Slight variations in the aesthetic appearance of the product, including the color, may occur after exposure to external influences such as sunlight, pollution or harmful chemicals