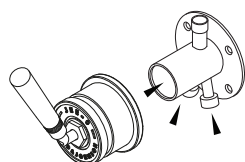
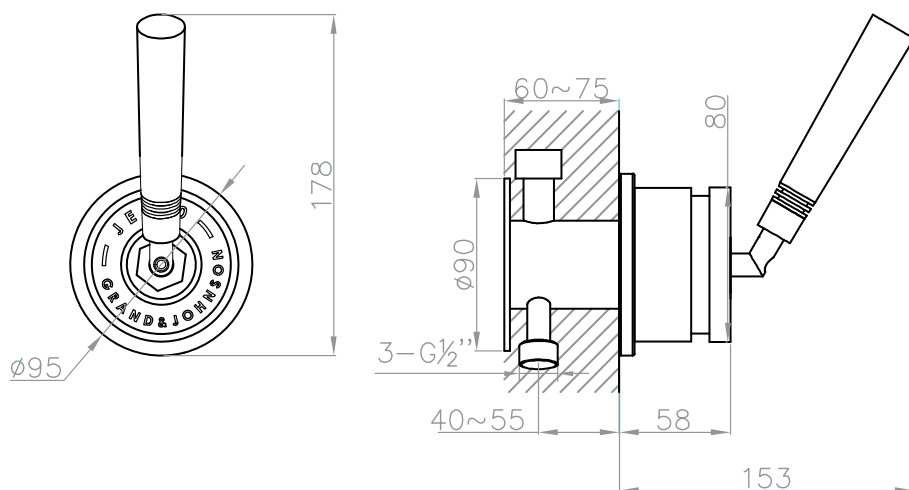




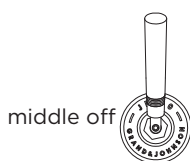
JEE-O soho mixer specifications one way valve version



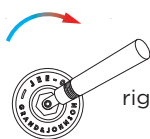
inlet hot inlet cold



Note:
UV radiation and extreme temperature can affect the color and structure of the JEE-O soho surface.



middle off



right water spout

Article code:

700-2100

● Brushed stainless steel - **RAW**

700-2102

● Hammercoated black matt

Connection:
Thread:

3 x G 1/2" (ø15mm / 0.6")
British Standard Pipe (BSP)

Dimension package:
Total weight:
Package weight:

L 28 x W 20 x H 14 cm
2.8 kg
0.3 kg

2 year warranty

Material:
Coating:

Stainless Steel r304
1.5 Electro powder spray

Cartridge:

Sedal ceramic mixing mechanism (progressive),
item code **005-0104**

Cleaning:

cleaning vinegar or alcohol

Flow at water of 38°C / 100,4°F:

10l p/m at 3bar pressure

HS code:
Approvals:

84818011

