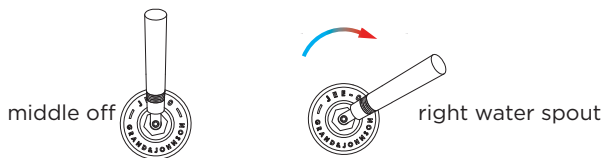
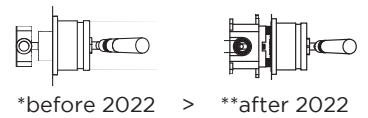
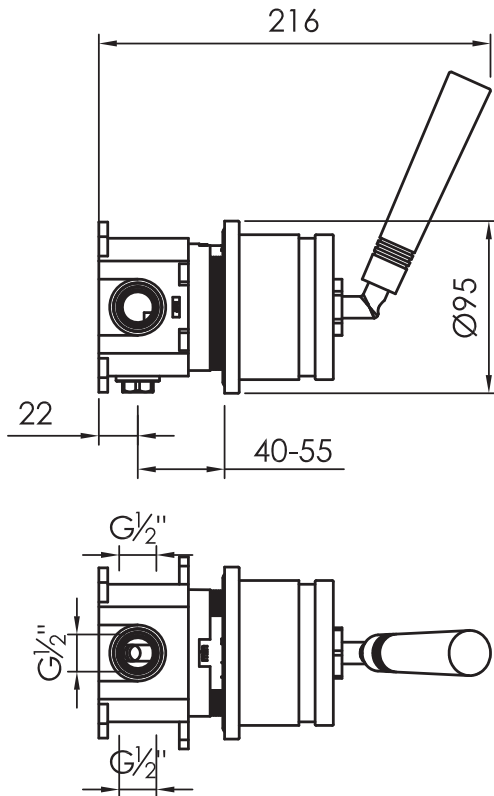




JEE-O soho mixer one way valve version



Article code:	700-2100 ● RAW	Connection:	3 x G 1/2" (ø15mm / 0.6")
	700-2102 ● 1.5 Electro powder spray hammercoated black	Thread:	British Standard Pipe (BSP)
Material:	European mirror glass (6mm) and Stainless Steel r304	Dimension package:	L 28 x W 20 x H 14 cm
Cleaning instructions:	download JEE-O shower and taps manual on our website: www.jee-o.com	Total weight:	2.8 kg
Cartridge:	Sedal ceramic mixing mechanism (progressive, 40mm), item code 005-0104 (models before 2022*)	Package weight:	0.3 kg
	Sedal ceramic mixing mechanism (progressive, 35mm), item code 005-0106 (models after 2022**, type: built in box)	7 year warranty - The general conditions can be found on our website: www.jee-o.com/downloads	HS code: 84818011
Flow at water of 38°C:	10l p/m at 3Bar pressure	Approvals:	
Pressure:	Recommended working pressure 3Bar		