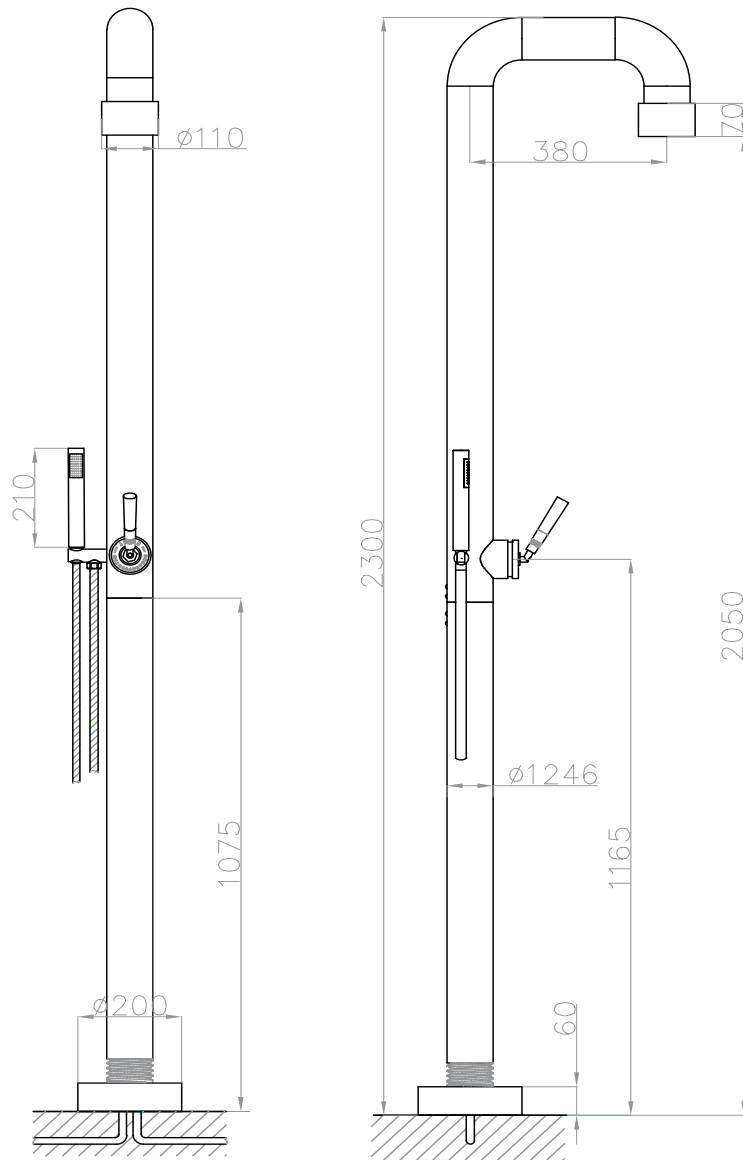




JEE-O soho shower 02



Article code:	700-6210 ● RAW 700-6212 ● Hammercoated black* 700-6217 ● Structured clay* 700-6218 ● Structured sand*	Connection:	2 x G 1/2" (ø15mm / 0.6") nylon ^(out) /epdm ⁽ⁱⁿ⁾ flexhose with brass swivel British Standard Pipe (BSP)
Material:	Stainless Steel r316	Thread:	
Cleaning instructions:	download JEE-O shower and taps manual on our website: www.jee-o.com	Dimension package:	L 150 x W 58 x H 20 cm
Cartridge:	Kerox ceramic mixing mechanism (progressive), item code 005-0203	Total weight:	19.4 kg
Interchangeable shower head	ø89mm/78 nozzles, item code 701-6120	Package weight:	3.6 kg
Flow at water of 38°C:	10l p/m at 3bar pressure	Placing on a water-tight floor	
Pressure:	Recommended working pressure 3Bar	7 year warranty - The general conditions can be found on our website: www.jee-o.com/downloads	
Flexhose:	150 cm length	HS code:	84818011
		Approvals:	SLS BS EN 817, SS 375, AS/NZS 4020, BS EN



JEE-O soho shower 02 specifications | February 2025

Models are subject to change and specs may contain typographical errors

Slight variations in the aesthetic appearance of the product, including the color, may occur after exposure to external influences such as sunlight, pollution or harmful chemicals

* elektrostatische pulver beschichtung