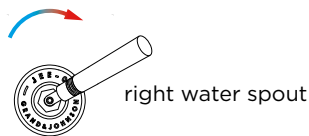
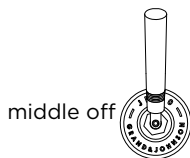
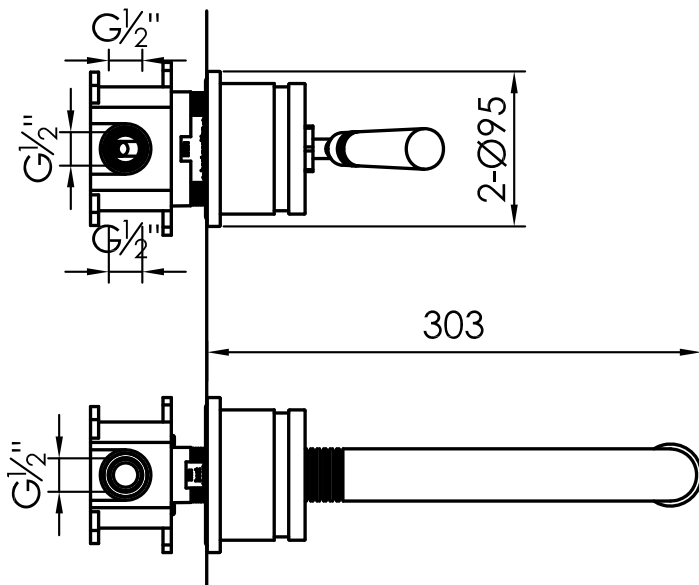
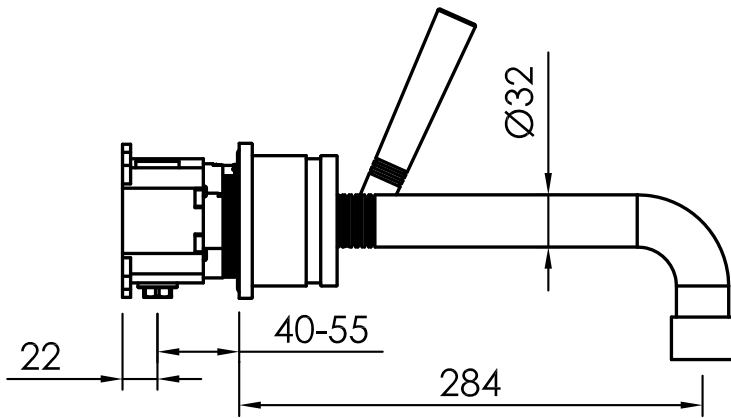




JEE-O soho wall basin mixer



Article code:	700-1500 ● RAW	Connection: Thread:	4 x G 1/2" (ø15mm / 0.6") British Standard Pipe (BSP)
	700-1502 ● 1.5 Electro powder spray hammercoated black	Dimension package: Total weight: Package weight:	L 56 x W 34 x H 17 cm 4.4 kg 0.9 kg
Material:	Stainless Steel r304	7 year warranty - The general conditions can be found on our website: www.jee-o.com/downloads	
Cleaning instructions:	download JEE-O shower and taps manual on our website: www.jee-o.com	HS code:	84818011
Cartridge:	Sedal ceramic mixing mechanism (progressive), item code 005-0104	Approvals:	SLS BS EN 817, SS 375, AS/NZS 4020, BS EN
Flow at water of 38°C:	10l p/m at 3Bar pressure		
Pressure:	Recommended working pressure 3Bar		

