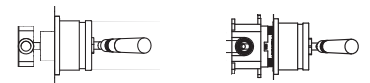
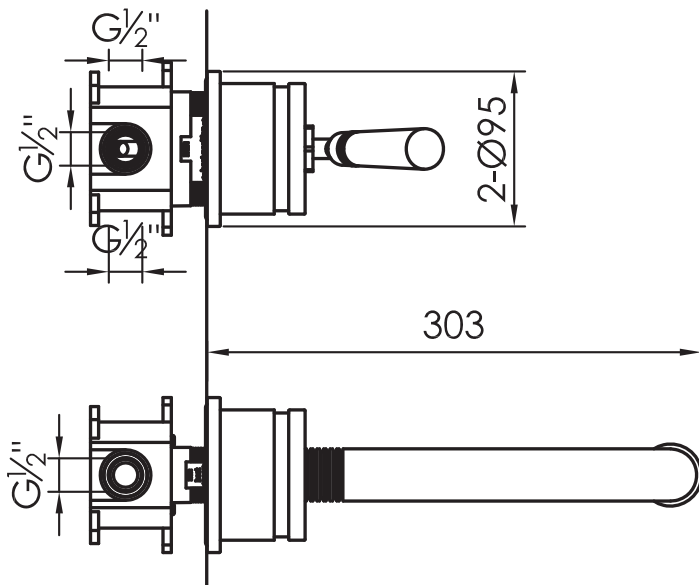
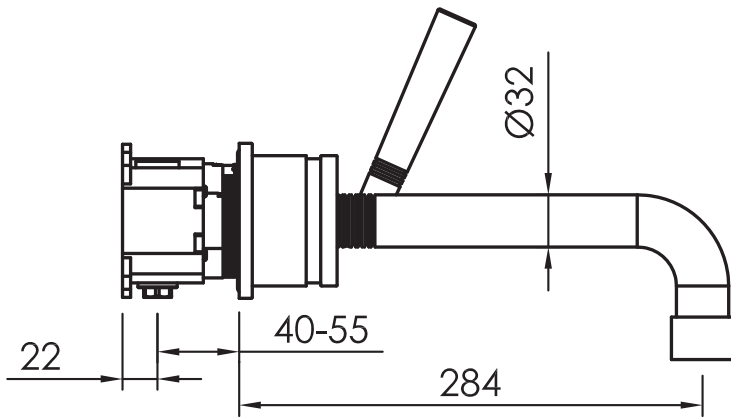
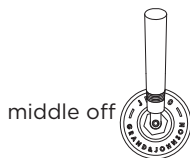




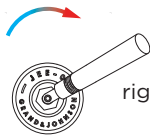
JEE-O soho wall basin mixer



*before 2022 > **after 2022



middle off



right water spout

Article code:	700-1500 ● RAW 700-1502 ● 1.5 Electro powder spray hammercoated black	Connection: Thread:	4 x G 1/2" (Ø15mm / 0.6") British Standard Pipe (BSP)
Material:	Stainless Steel r304	Dimension package:	L 56 x W 34 x H 17 cm
Cleaning instructions:	download JEE-O shower and taps manual on our website: www.jee-o.com	Total weight:	4.4 kg
Cartridge:	Sedal ceramic mixing mechanism (progressive, 40mm), item code 005-0104 (models <u>before</u> 2022*) Sedal ceramic mixing mechanism (progressive, 35mm), item code 005-0106 (models <u>after</u> 2022**, type: built in box)	Package weight:	0.9 kg
Flow at water of 38°C:	10l p/m at 3Bar pressure	7 year warranty - The general conditions can be found on our website: www.jee-o.com/downloads	
Pressure:	Recommended working pressure 3Bar	HS code:	84818011
		Approvals:	SLS BS EN 817, SS 375, AS/NZS 4020, BS EN

