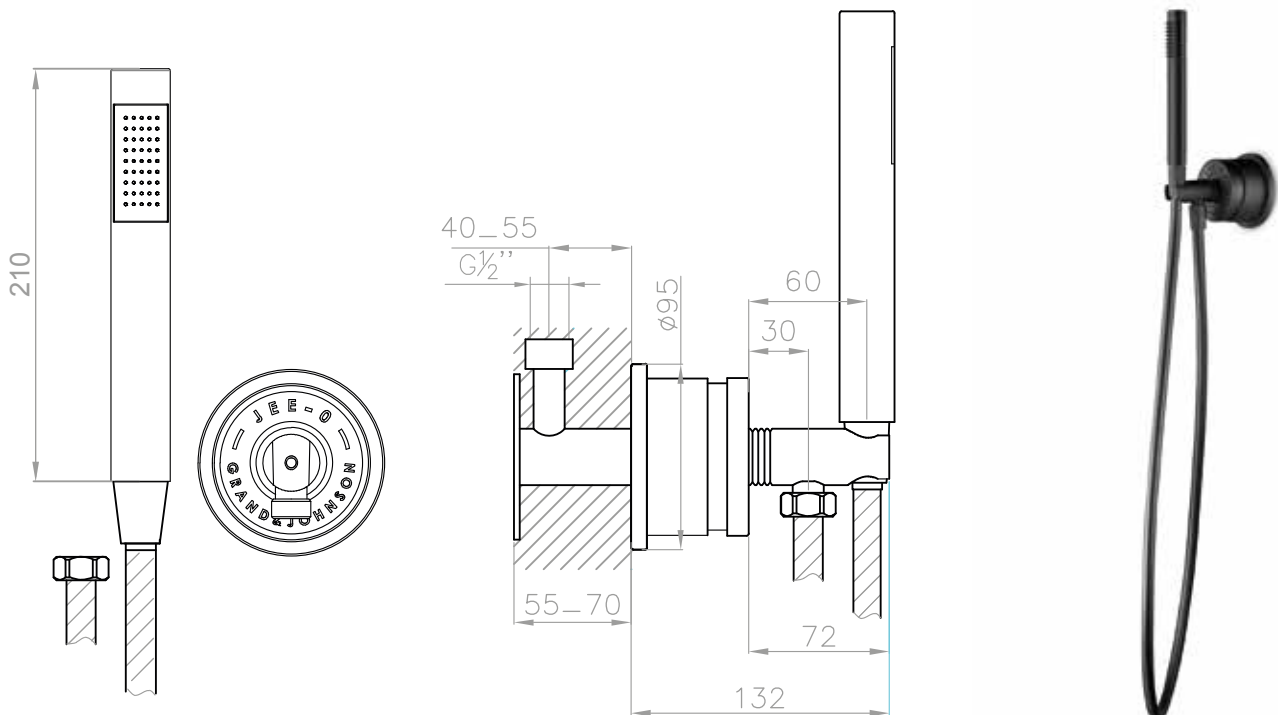




JEE-O soho wall hand shower



Article code:	700-6910 ● RAW	Connection: Thread:	G 1/2" (ø15mm / 0.6") British Standard Pipe (BSP)
	700-6912 ● 1.5 Electro powder spray hammercoated black	Dimension package: Total weight: Package weight:	L 48 x W 20 x H 14 cm 2.8 kg 0.3 kg
Material:	Stainless Steel r304	7 year warranty - The general conditions can be found on our website: www.jee-o.com/downloads	
Cleaning instructions:	download JEE-O shower and taps manual on our website: www.jee-o.com		
Pressure:	Recommended working pressure 3Bar		
Flexhose:	150 cm length		

HS code: 84818011

Approval

