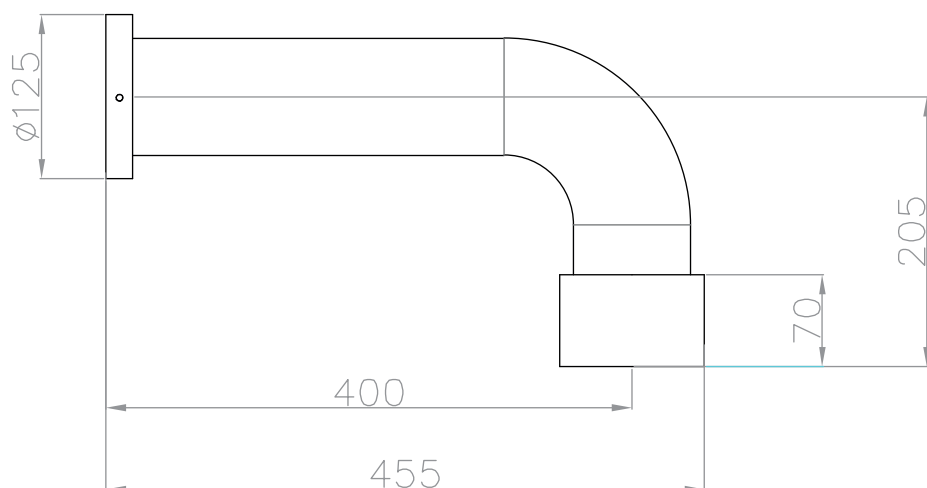
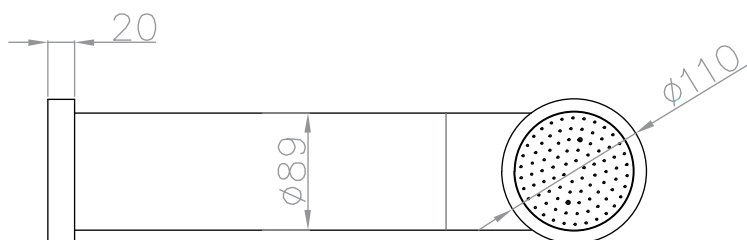




# JEE-O soho wall shower



Article code:	700-6900 ● RAW 700-6902 ● 1.5 Electro powder spray hammercoated black	Connection:	G 1/2" (ø15mm / 0.6") nylon <sup>(out)</sup> /epdm <sup>(in)</sup> flexhose with brass swivel British Standard Pipe (BSP)
Material:	Stainless Steel r304	Thread:	
Cleaning instructions:	download JEE-O shower and taps manual on our website: <a href="http://www.jee-o.com">www.jee-o.com</a>	Dimension package:	L 52 x W 34 x H 19 cm
Flow at water of 38°C:	12l p/m at 3Bar pressure	Total weight:	3.8 kg
Pressure:	Recommended working pressure 3Bar	Package weight:	0.4 kg
		7 year warranty - The general conditions can be found on our website: <a href="http://www.jee-o.com/downloads">www.jee-o.com/downloads</a>	
		HS code:	84818011

Approvals:



JEE-O soho wall shower specifications | September 2023

Models are subject to change and specs may contain typographical errors

Slight variations in the aesthetic appearance of the product, including the color, may occur after exposure to external influences such as sunlight, pollution or harmful chemicals