

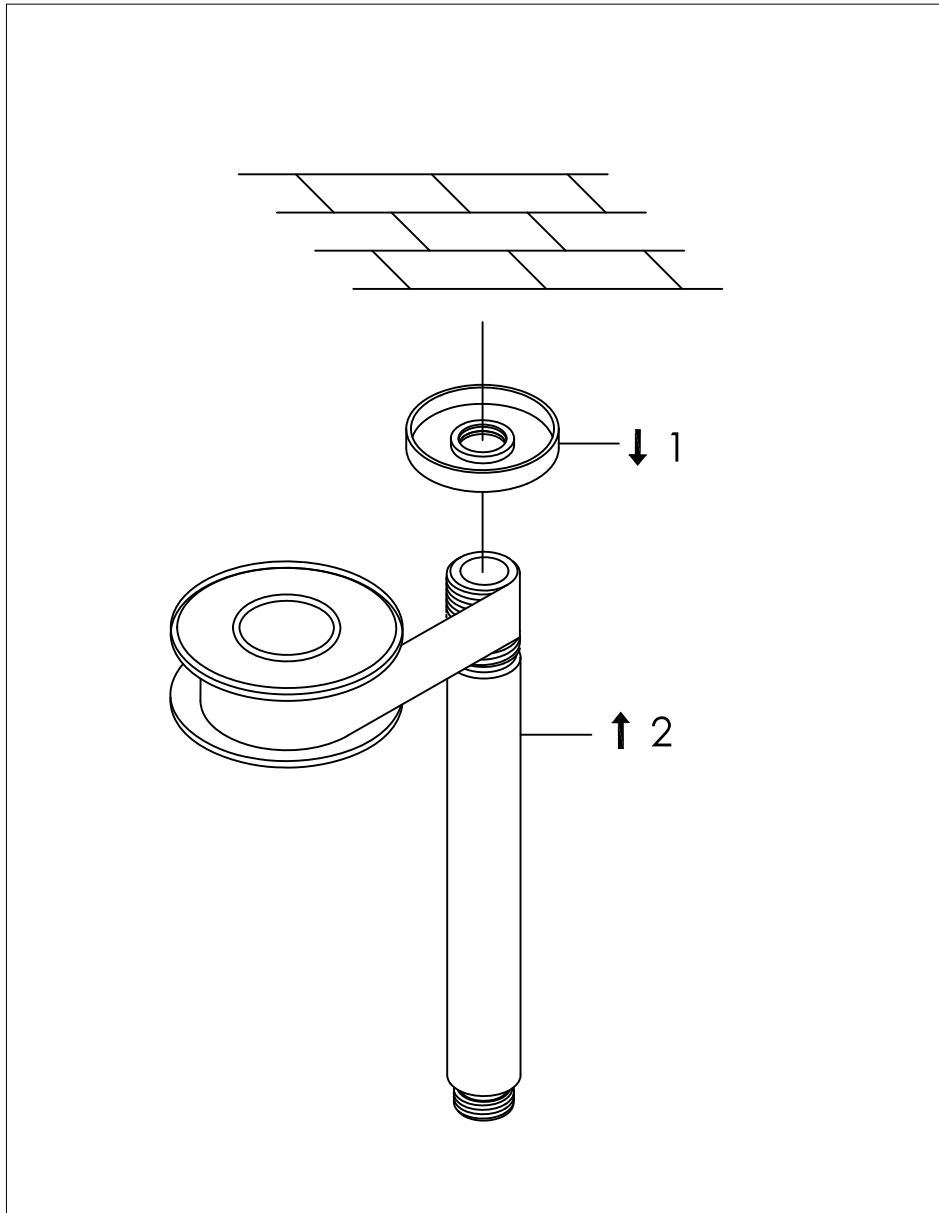


ceiling mounted shower arm, 150mm

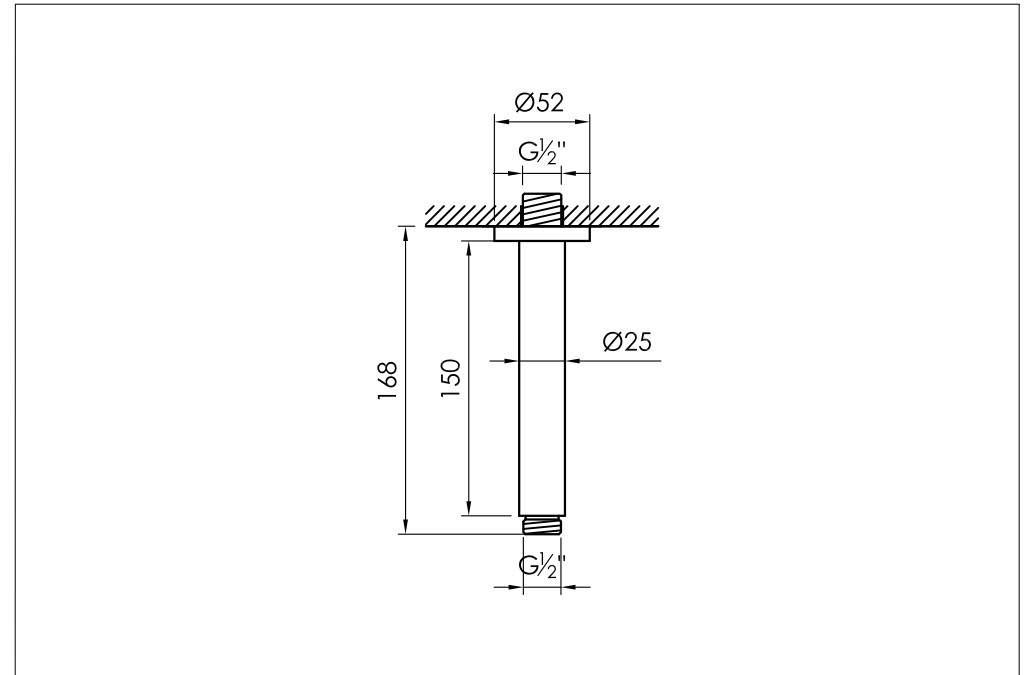
plafond douchekophouder, 150mm

801-6810 / 801-6813 / 801-6814 / 801-6815

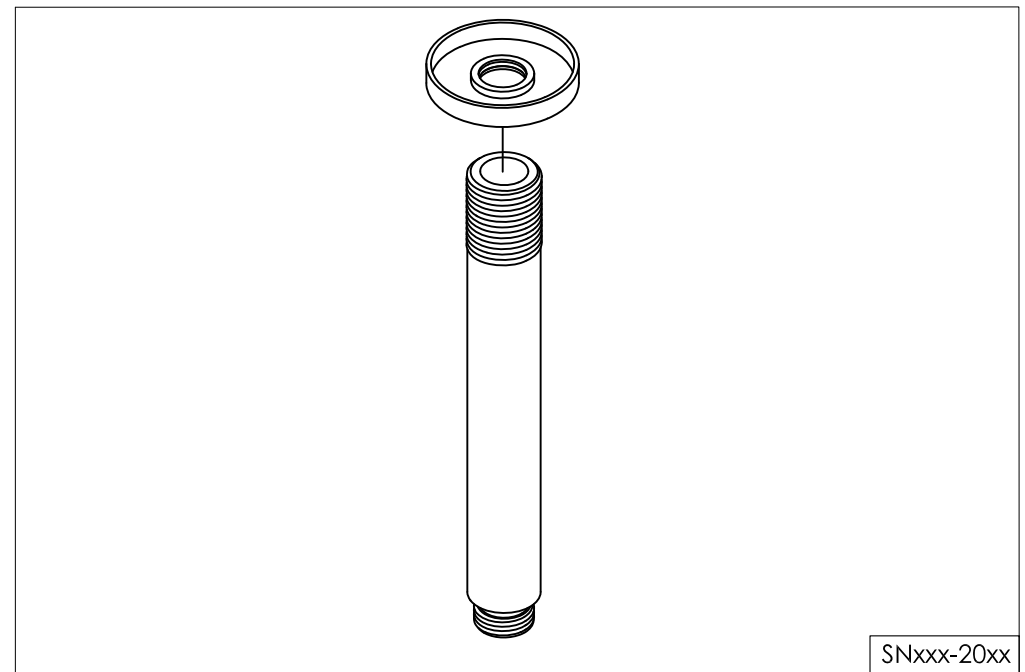
installation



technical diagram



explosion diagram



SNxxx-20xx

www.jee-o.com