

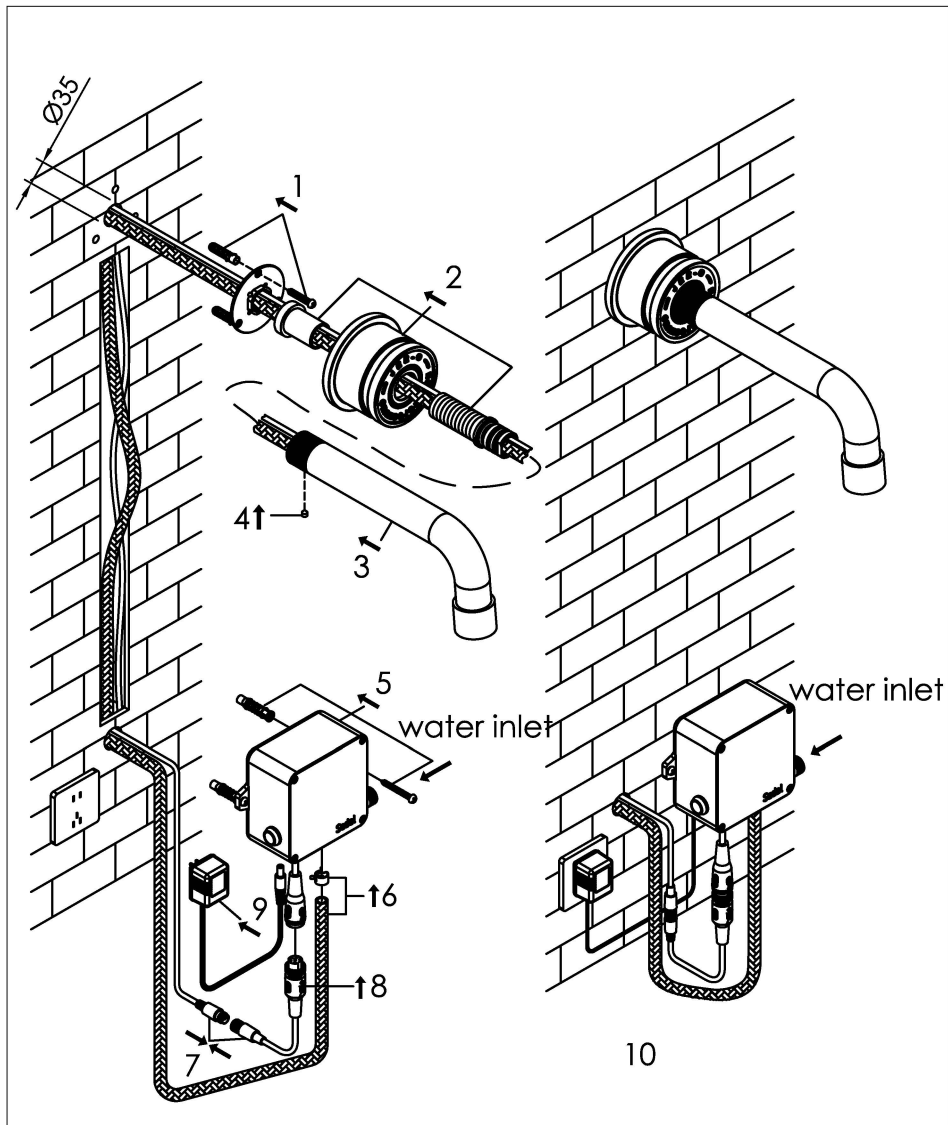
JEE-O

Soho electronic wall mounted basin tap stainless steel,
with Infrared on/off sensor and concealed controlbox

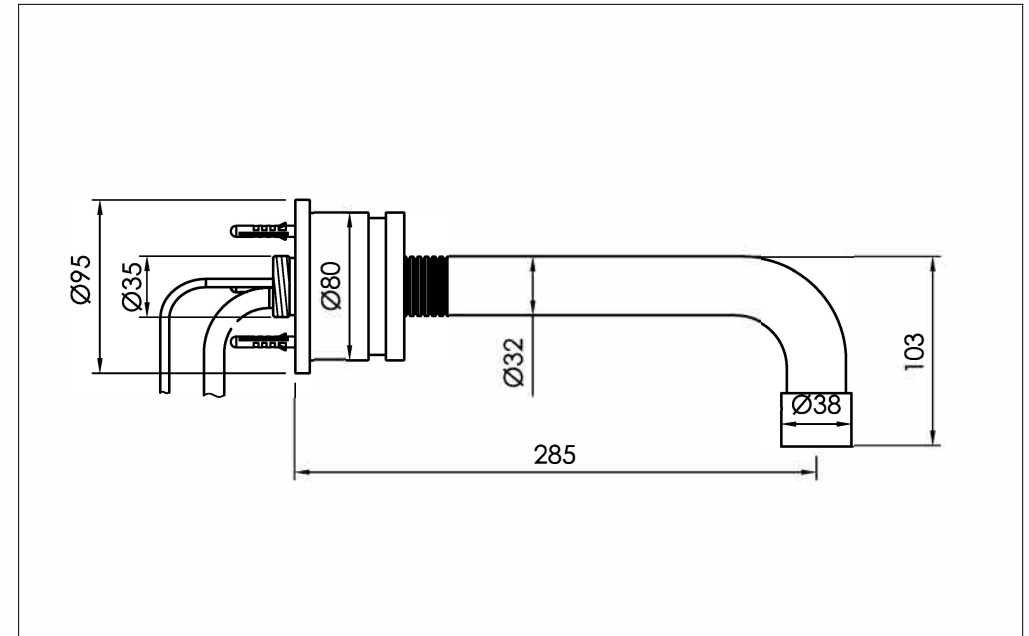
Soho elektronische wand wastafel kraan rvs,
met infrarood aan/uit sensor en inbouwbox

700-1530 / 700-1532

installation



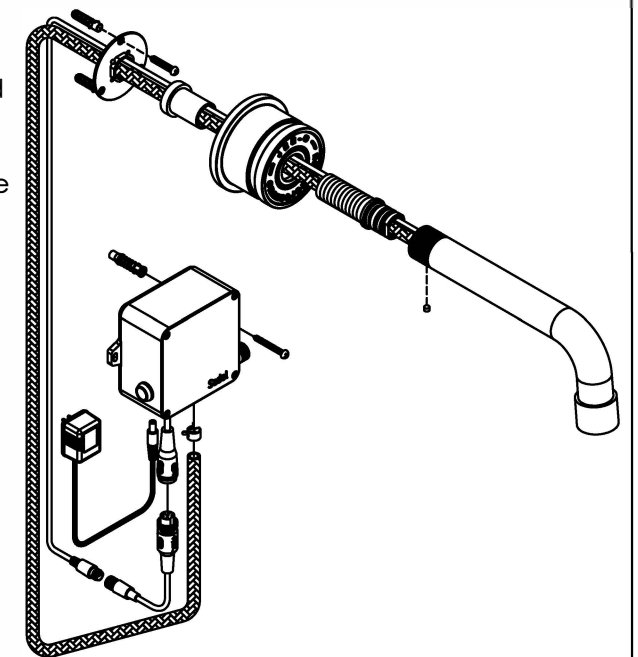
technical diagram



explosion diagram

Note:

- 1, close the water supply and power supply before installation
- 2, install the control box in the upright position as shown in the diagrams
- 3, choose an accessible place to install the control box for future service purposes
- 4, ensure a minimum of 200mm between the spout and the bottom of the basin
- 5, the detection distance of the sensor can be adjusted (see manual on www.jee-o.com)



020-xxx-24xx

www.jee-o.com