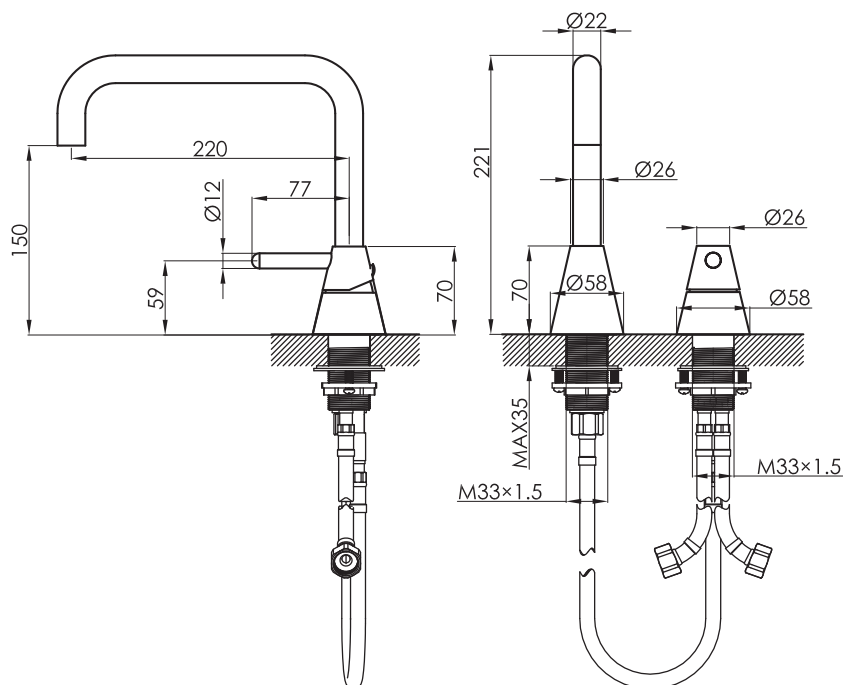




JEE-O cone 2 hole mixer set low



Article code:

900-1760

● Brushed

900-1766

● Gun metal

Material:

Stainless Steel r304

Cleaning instructions:

download JEE-O shower and taps manual on our website: www.jee-o.com

Cartridge:

Sedal/Kerox ceramic mixing cartridge (35mm), item code 005-0101

Flow at water of 38°C:

10l p/m at 3Bar pressure

Pressure:

Recommended working pressure 3Bar

Connection:

2 x G 1/2" (Ø15mm / 0.6") nylon^(out)/epdm⁽ⁱⁿ⁾ flexhose with brass swivel British Standard Pipe (BSP)

Thread:

Dimension package:

L 47 x W 32 x H 10 cm

Total weight:

2.4 kg

Package weight:

0.4 kg

2 year warranty - The general conditions can be found on our website: www.jee-o.com/downloads

HS code:

84248970