

We  
energise



Touchless design collection

JEE-0<sup>®</sup>

## JEE-O touchless design

- The magic of no-touch technology 5
- Cone touchless wall basin tap 6
- Slimline touchless wall basin taps 8
- Soho touchless wall basin tap 10
- Pure touchless wall basin tap 12
- Technical information 14



## The magic of no-touch technology

- ✓ Functional design
- ✓ Water efficient
- ✓ Available in multiple series

So, here they are: the touchless designs of the JEE-O wall mounted basin mixers. Thanks to infrared sensor technology, our beautiful wall mounted basin mixers can now be operated touchless. Experience the magic of this high-tech innovation. It not only makes life easier, but it is also more environmentally friendly. Thanks to the automatic activation of the water flow, water is only dispensed for as long as it is actually necessary. Hygienic and water efficient.

The JEE-O sensor taps make the refined elegance of a stunning design available for public spaces. This allows restaurants, hotels, wellness spas, museums, clubs and all other public spaces to provide their visitors with a design that fits their exclusive and modern appearance. The design's beauty is purer than ever and free from fingerprints, thus achieving better hygiene.

All our sensors come with reliable infrared technology. This once again demonstrates that design and functionality go hand in hand perfectly. All our lines can be combined effortlessly. There is no need to compromise on interior design choices.



cone touchless wall basin tap  
900-153X





slimline touchless wall basin tap  
800-153X



slimline touchless wall basin tap short  
800-154X





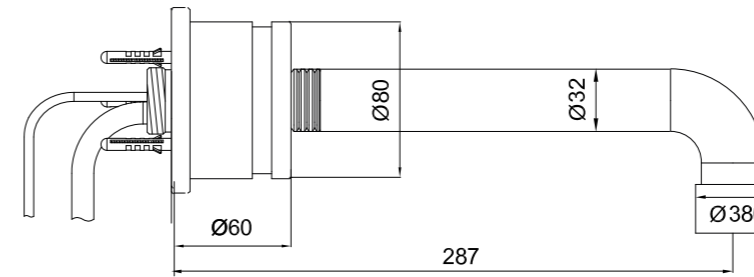
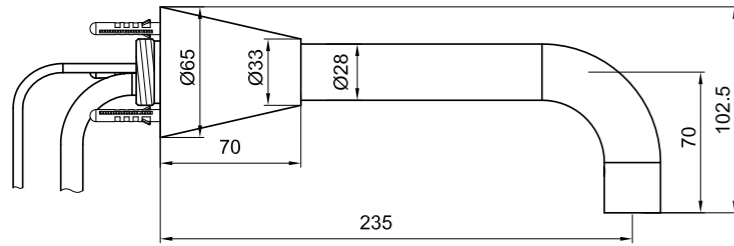
soho touchless wall basin tap  
700-153X





pure touchless wall basin tap  
300-153X





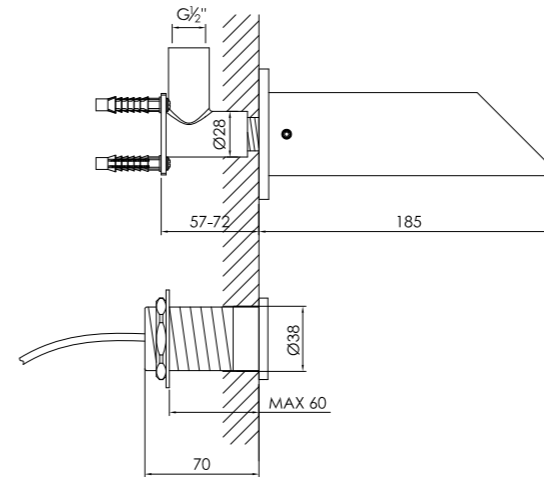
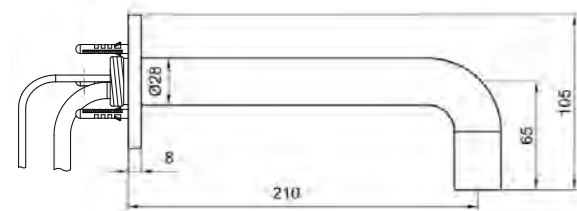
### JEE-O cone touchless wall basin tap

Article code:	900-153X
Material:	Stainless Steel r304
Cleaning instructions:	download JEE-O shower and taps manual on our website: <a href="http://www.jee-o.com">www.jee-o.com</a>
Cartridge:	sedal ired+ electronic infrared operated valve
Flow at water of 38°C /100.4°F:	10 L per minute at 3bar pressure
Sensor (de)activation time:	<1s
Connection:	G ½-14
Thread:	British Standard Pipe (BSP)
Power supply:	DC 6V; AC 230 V (50Hz)/ 110-120V (60Hz)
Power consumption:	standby: AC < 4W ; DC < 0.2mW flushing: AC < 5W ; DC < 3W
Battery type (optional):	4xAA 1.5V
Protection against intrusion:	valve IP65 and sensor IP67
Pressure:	Recommended working pressure 3Bar



### JEE-O soho touchless wall basin tap

Article code:	700-153X
Material:	Stainless Steel r304
Cleaning instructions:	download JEE-O shower and taps manual on our website: <a href="http://www.jee-o.com">www.jee-o.com</a>
Cartridge:	sedal ired+ electronic infrared operated valve
Flow at water of 38°C /100.4°F:	10 L per minute at 3bar pressure
Sensor (de)activation time:	<1s
Connection:	G ½-14
Thread:	British Standard Pipe (BSP)
Power supply:	DC 6V; AC 230 V (50Hz)/ 110-120V (60Hz)
Power consumption:	standby: AC < 4W ; DC < 0.2mW flushing: AC < 5W ; DC < 3W
Battery type (optional):	4xAA 1.5V
Protection against intrusion:	valve IP65 and sensor IP67
Pressure:	Recommended working pressure 3Bar



### JEE-O slimline touchless wall basin tap / tap short

Article code:	800-153X / 800-154x
Material:	Stainless Steel r304
Cleaning instructions:	download JEE-O shower and taps manual on our website: <a href="http://www.jee-o.com">www.jee-o.com</a>
Cartridge:	sedal ired+ electronic infrared operated valve
Flow at water of 38°C:	10 L per minute at 3bar pressure
Sensor (de)activation time:	<1s
Connection:	G ½-14
Thread:	British Standard Pipe (BSP)
Power supply:	DC 6V; AC 230 V (50Hz)/110-120V (60Hz)
Power consumption:	standby: AC < 4W ; DC < 0.2mW flushing: AC < 5W ; DC < 3W
Battery type (optional):	4xAA 1.5V
Protection against intrusion:	valve IP65 and sensor IP67
Pressure:	Recommended working pressure 3Bar



### JEE-O pure touchless wall basin tap

Article code:	300-153X
Material:	Stainless Steel r304
Cleaning instructions:	download JEE-O shower and taps manual on our website: <a href="http://www.jee-o.com">www.jee-o.com</a>
Cartridge:	sedal ired+ electronic infrared operated valve
Flow at water of 38°C /100.4°F:	10 L per minute at 3bar pressure
Sensor (de)activation time:	<1s
Connection:	G ½-14
Thread:	British Standard Pipe (BSP)
Power supply:	DC 6V; AC 230 V (50Hz)/ 110-120V (60Hz)
Power consumption:	standby: AC < 4W ; DC < 0.2mW flushing: AC < 5W ; DC < 3W
Battery type (optional):	4xAA 1.5V
Protection against intrusion:	valve IP65 and sensor IP67
Pressure:	Recommended working pressure 3Bar





# We energise

JEE-O works with carefully selected solid surface materials. Slight variations in the aesthetic appearance of the product including the colour, may occur after exposure to atmospheric influences such as sunlight, pollution or harmful chemicals. This does not affect the product performance in any manner. Situation specific care and maintenance instructions may apply.

For our general cleaning and maintenance recommendations, visit our website [www.jee-o.com](http://www.jee-o.com)

Models are subject to change and specs may contain typographical errors.

JEE-O is a registered trademark of L.J. Moerman



[www.jee-o.com](http://www.jee-o.com)



#jeeoworld @jeeoworld