

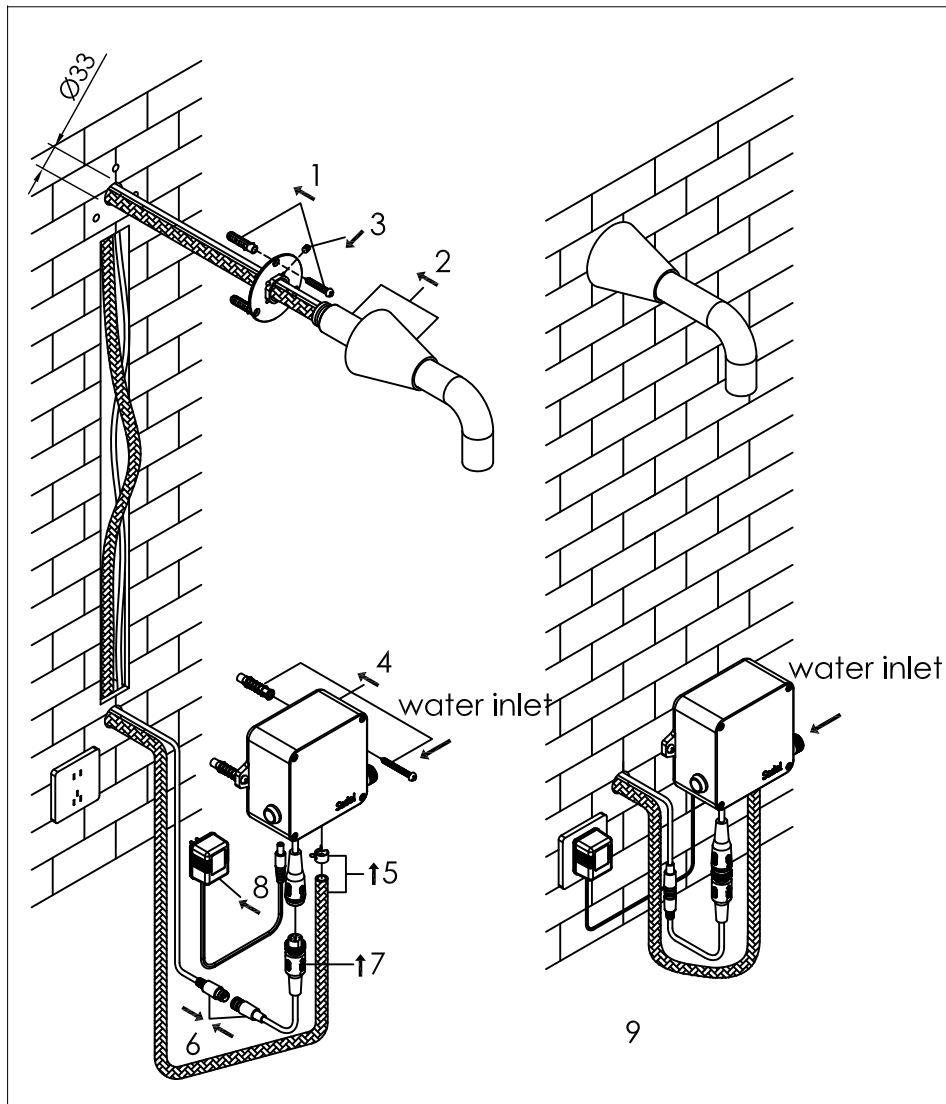


Cone electronic wall mounted basin tap stainless steel, with Infrared on/off sensor and concealed controlbox

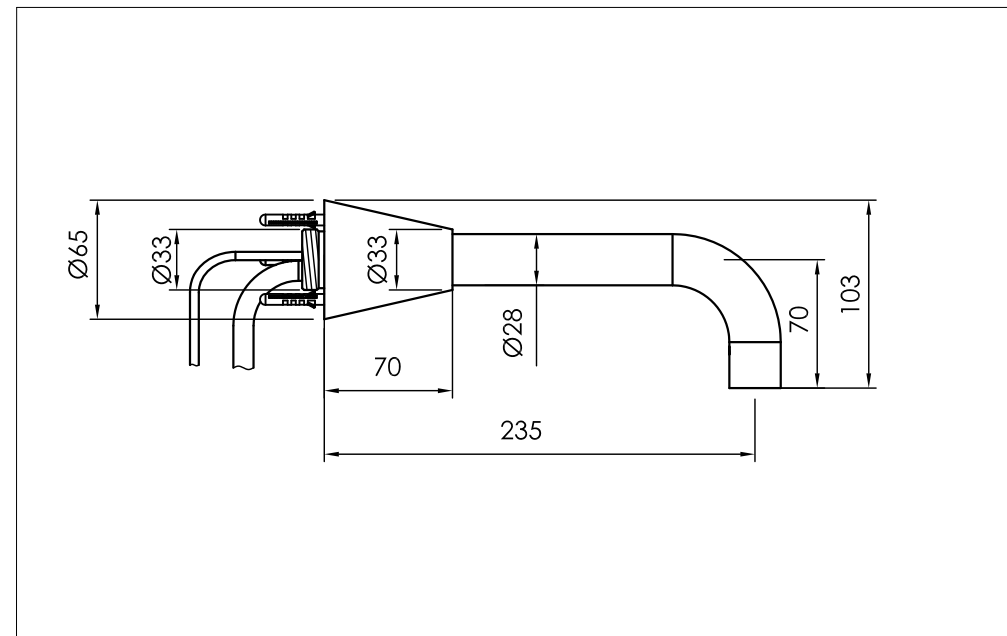
Cone elektronische wand wastafel kraan rvs, met infrarood aan/uit sensor en inbouwbox

900-1530 / 900-1536

### installation



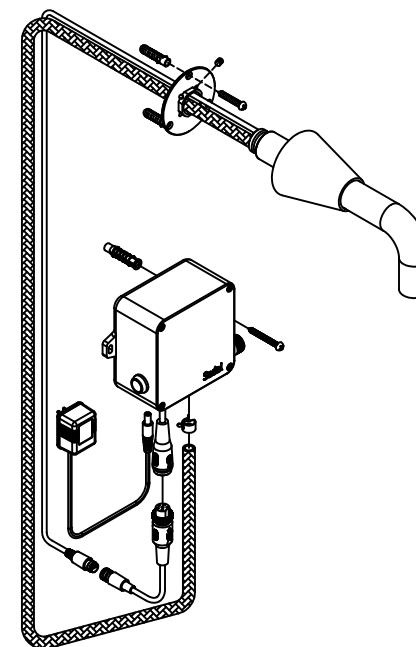
### technical diagram



### explosion diagram

Note:

- 1, close the water supply and power supply before installation
- 2, install the control box in the upright position as shown in the diagrams
- 3, choose an accessible place to install the control box for future service purposes
- 4, ensure a minimum of 200mm between the spout and the bottom of the basin
- 5, the detection distance of the sensor can be adjusted (see manual on [www.jee-o.com](http://www.jee-o.com))



020-xxx-24xx

[www.jee-o.com](http://www.jee-o.com)