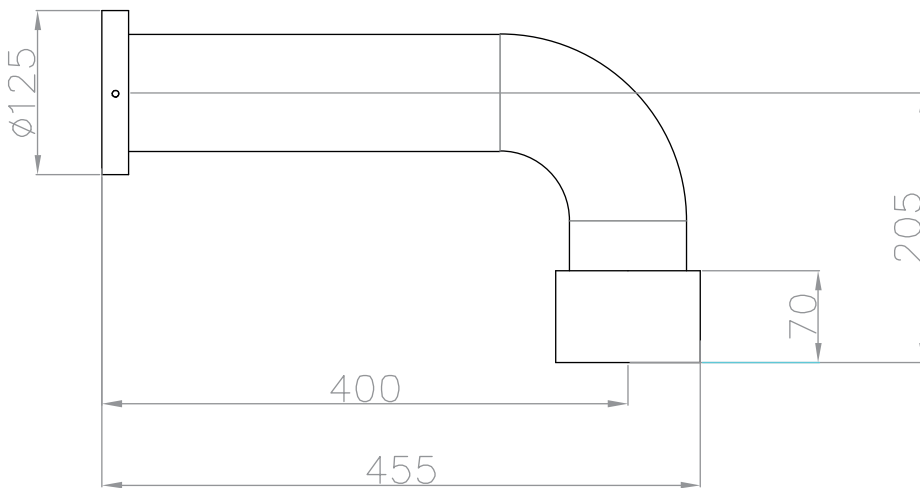
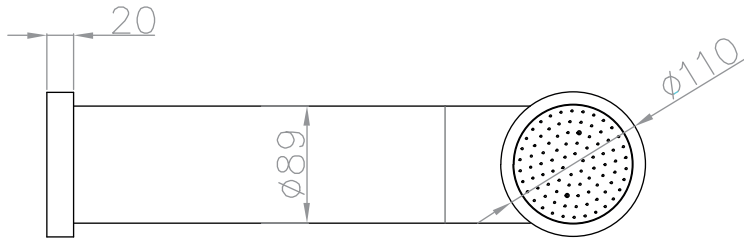




JEE-O soho wall shower



Article code:

700-6900

● RAW

700-6902

● 1.5 Electro powder spray hammercoated black

Material:

Stainless Steel r304

Cleaning instructions:

download JEE-O shower and taps manual on our website: www.jee-o.com

Flow at water of 38°C:

12l p/m at 3Bar pressure

Pressure:

Recommended working pressure 3Bar

Connection:

G 1/2" (ø15mm / 0.6") nylon^(out)/epdm⁽ⁱⁿ⁾ flexhose with brass swivel British Standard Pipe (BSP)

Thread:

Dimension package:

L 52 x W 34 x H 19 cm

Total weight:

3.8 kg

Package weight:

0.4 kg

7 year warranty - The general conditions can be found on our website: www.jee-o.com/downloads

HS code:

84818011

Approvals:



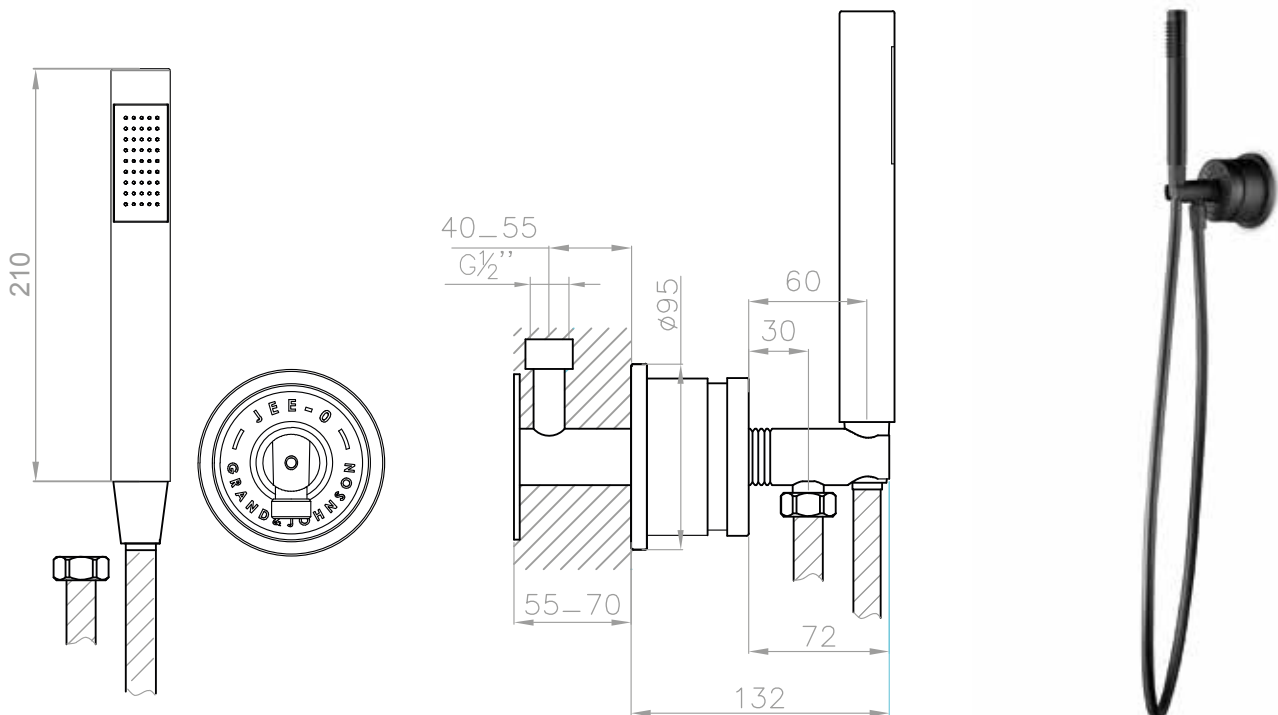
JEE-O soho wall shower specifications | September 2023

Models are subject to change and specs may contain typographical errors

Slight variations in the aesthetic appearance of the product, including the color, may occur after exposure to external influences such as sunlight, pollution or harmful chemicals



JEE-O soho wall hand shower



Article code:	700-6910 ● RAW 700-6912 ● 1.5 Electro powder spray hammercoated black	Connection: Thread:	G ½" (ø15mm / 0.6") British Standard Pipe (BSP)
Material:	Stainless Steel r304	Dimension package:	L 48 x W 20 x H 14 cm
Cleaning instructions:	download JEE-O shower and taps manual on our website: www.jee-o.com	Total weight:	2.8 kg
Pressure:	Recommended working pressure 3Bar	Package weight:	0.3 kg
Flexhose:	150 cm length	7 year warranty - The general conditions can be found on our website: www.jee-o.com/downloads	

HS code: 84818011

Approval

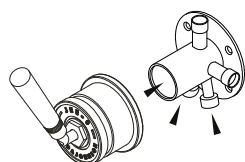


JEE-O soho wall hand shower specifications | September 2023

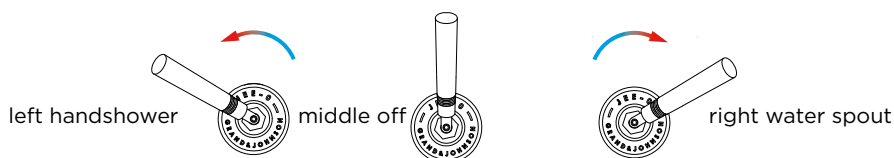
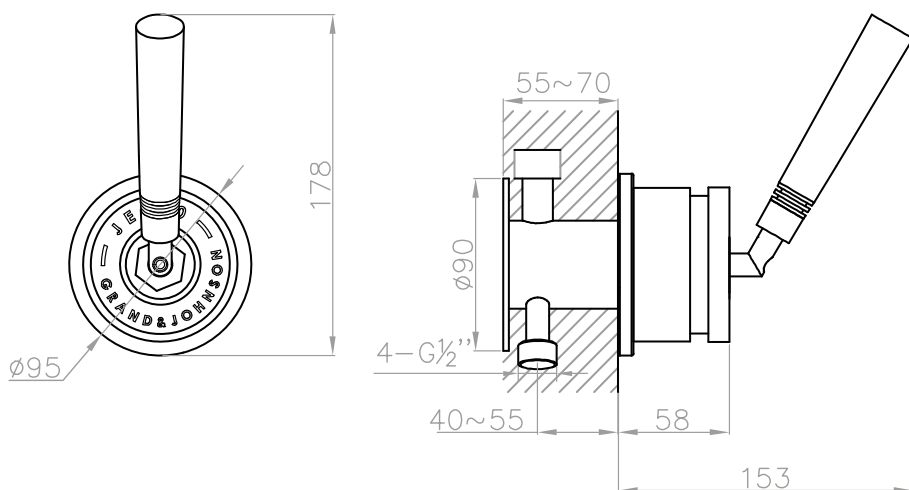
Slight variations in the aesthetic appearance of the product, including the color, may occur after exposure to external influences such as sunlight, pollution or harmful chemicals



JEE-O soho mixer two way valve version



inlet hot inlet cold



Article code:	700-2200 ● RAW	Connection: Thread:	4 x G 1/2" (ø15mm / 0.6") British Standard Pipe (BSP)
	700-2202 ● 1.5 Electro powder spray hammercoated black	Dimension package: Total weight: Package weight:	L 28 x W 20 x H 14 cm 2.8 kg 0.3 kg
Material:	European mirror glass (6mm) and Stainless Steel r304	7 year warranty - The general conditions can be found on our website: www.jee-o.com/downloads	
Cleaning instructions:	download JEE-O shower and taps manual on our website: www.jee-o.com	Cartridge:	Sedal ceramic mixing mechanism (progressive), item code 005-0203
Cartridge:	Sedal ceramic mixing mechanism (progressive), item code 005-0203	HS code:	84818011
Flow at water of 38°C:	10l p/m at 3Bar pressure	Approvals:	SLS BS EN 817
Pressure:	Recommended working pressure 3Bar		