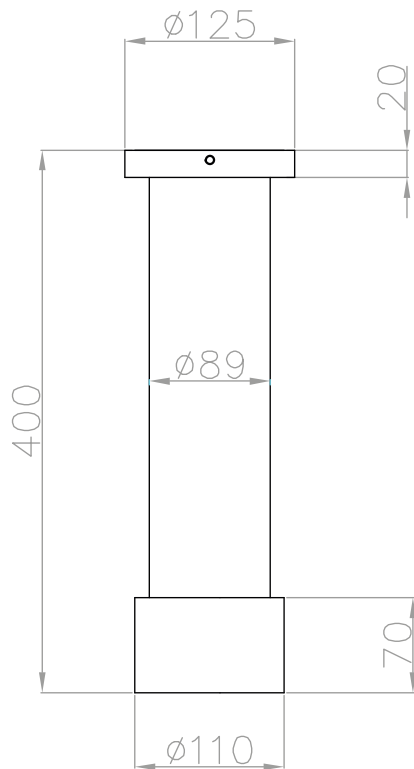




# JEE-O soho ceiling shower



Article code:

700-6800

● RAW

700-6802

● 1.5 Electro powder spray hammercoated black

Material:

Stainless Steel r304

Cleaning instructions:

download JEE-O shower and taps manual on our website: [www.jee-o.com](http://www.jee-o.com)

Flow at water of 38°C:

12l p/m at 3Bar pressure

Pressure:

Recommended working pressure 3Bar

Connection:

G 1/2" (ø15mm / 0.6") nylon<sup>(out)</sup>/epdm<sup>(in)</sup> flexhose with brass swivel British Standard Pipe (BSP)

Thread:

Dimension package:

L 47 x W 18 x H 18 cm

Total weight:

3.1 kg

Package weight:

0.4 kg

7 year warranty - The general conditions can be found on our website: [www.jee-o.com/downloads](http://www.jee-o.com/downloads)

HS code:

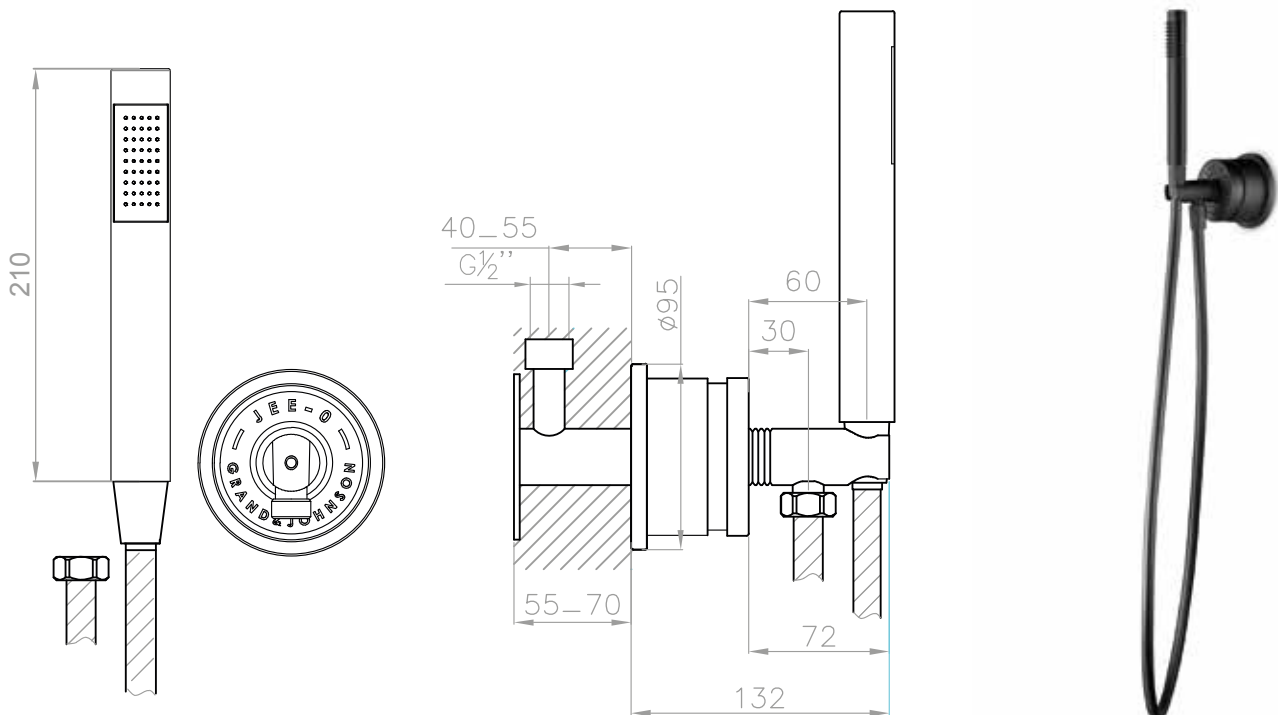
84818011

Approvals:





# JEE-O soho wall hand shower



Article code:

700-6910

● RAW

700-6912

● 1.5 Electro powder spray hammercoated black

Material:

Stainless Steel r304

Cleaning instructions:

download JEE-O shower and taps manual on our website: [www.jee-o.com](http://www.jee-o.com)

Pressure:

Recommended working pressure 3Bar

Flexhose:

150 cm length

Connection:

Thread:

G 1/2" (ø15mm / 0.6")  
British Standard Pipe (BSP)

Dimension package:

L 48 x W 20 x H 14 cm

Total weight:

2.8 kg

Package weight:

0.3 kg

7 year warranty - The general conditions can be found on our website: [www.jee-o.com/downloads](http://www.jee-o.com/downloads)

HS code:

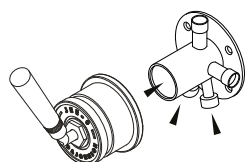
84818011

Approval

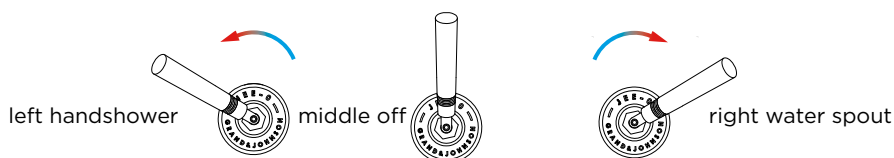
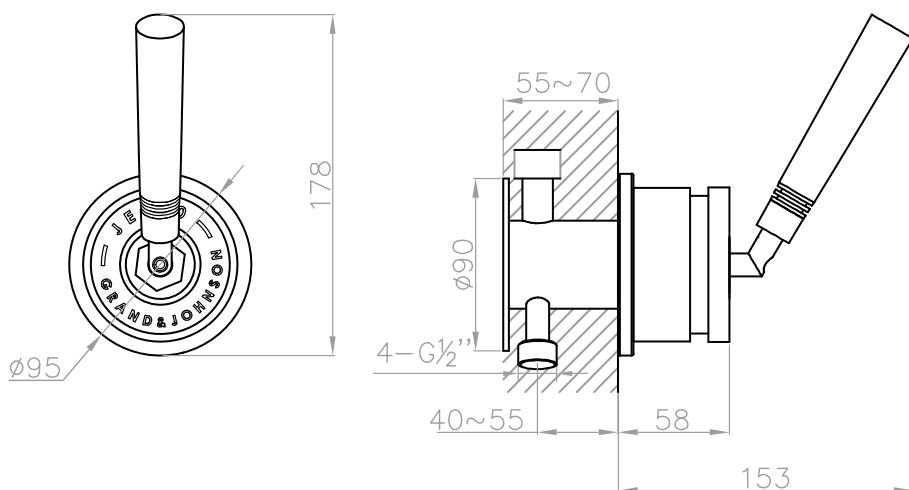




# JEE-O soho mixer two way valve version



inlet hot    inlet cold



Article code:	700-2200 ● RAW	Connection: Thread:	4 x G 1/2" (ø15mm / 0.6" ) British Standard Pipe (BSP)
	700-2202 ● 1.5 Electro powder spray hammercoated black	Dimension package: Total weight: Package weight:	L 28 x W 20 x H 14 cm 2.8 kg 0.3 kg
Material:	European mirror glass (6mm) and Stainless Steel r304	7 year warranty - The general conditions can be found on our website: <a href="http://www.jee-o.com/downloads">www.jee-o.com/downloads</a>	
Cleaning instructions:	download JEE-O shower and taps manual on our website: <a href="http://www.jee-o.com">www.jee-o.com</a>		
Cartridge:	Sedal ceramic mixing mechanism (progressive), item code 005-0203	HS code:	84818011
Flow at water of 38°C:	10l p/m at 3Bar pressure	Approvals:	SLS BS EN 817
Pressure:	Recommended working pressure 3Bar		