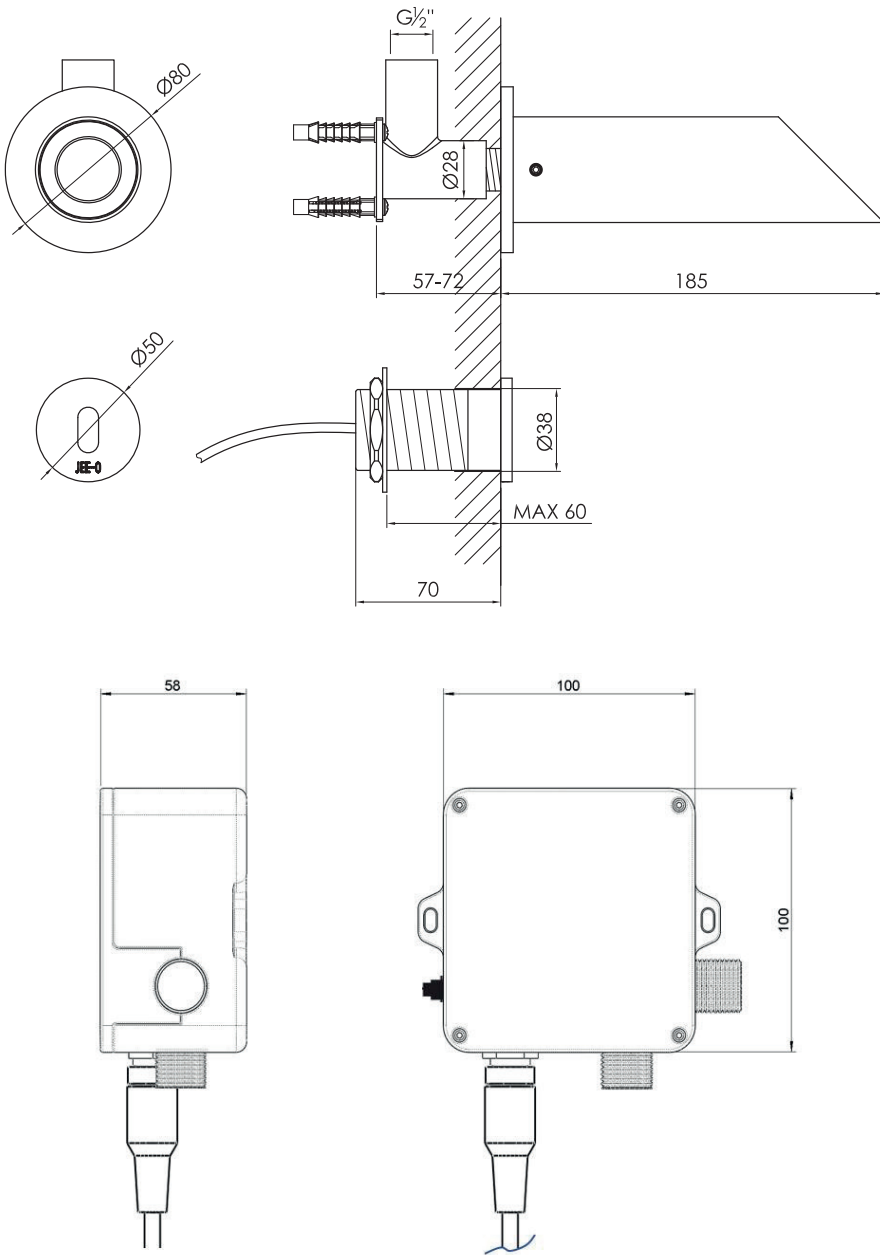




JEE-O pure touchless wall basin tap



IR sensor



Article code:

300-1530

● Brushed

300-1534

● PVD coated bronze

300-1535

● PVD coated matt gold

Material:

Stainless Steel r304

Cleaning instructions:

download JEE-O shower and taps manual on our website: www.jee-o.com

Cartridge:

sedal ired+ electronic infrared operated valve

Flow at water of 38°C:

10L p/m at 3Bar pressure

Pressure:

Recommended working pressure 3Bar

Sensor (de)activation time:

<1s

Sensor cable:

appr. 120 cm length

Connection:

Thread:

Power supply:

G 1/2-14

British Standard Pipe (BSP)

DC 6V; AC 230 V (50Hz)/

110-120V (60Hz)

Power consumption:

standby: AC < 4W ; DC < 0.2mW

flushing: AC < 5W ; DC < 3W

4xAA 1.5V

Battery type (optional):

Dimension package:

L 39 x W 31 x H 11 cm

Total weight:

2.6 kg

Package weight:

0.250 kg

Protection against intrusion: valve IP65 and sensor IP67

7 year warranty steel parts and 1 year on electronics

The general terms and conditions can be found on our

website: www.jee-o.com/downloads

HS Code :

8481801190

Approvals:

WRAS, ACS (XP P41-280)