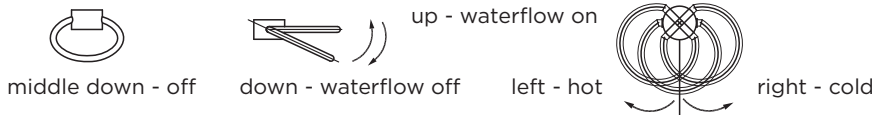
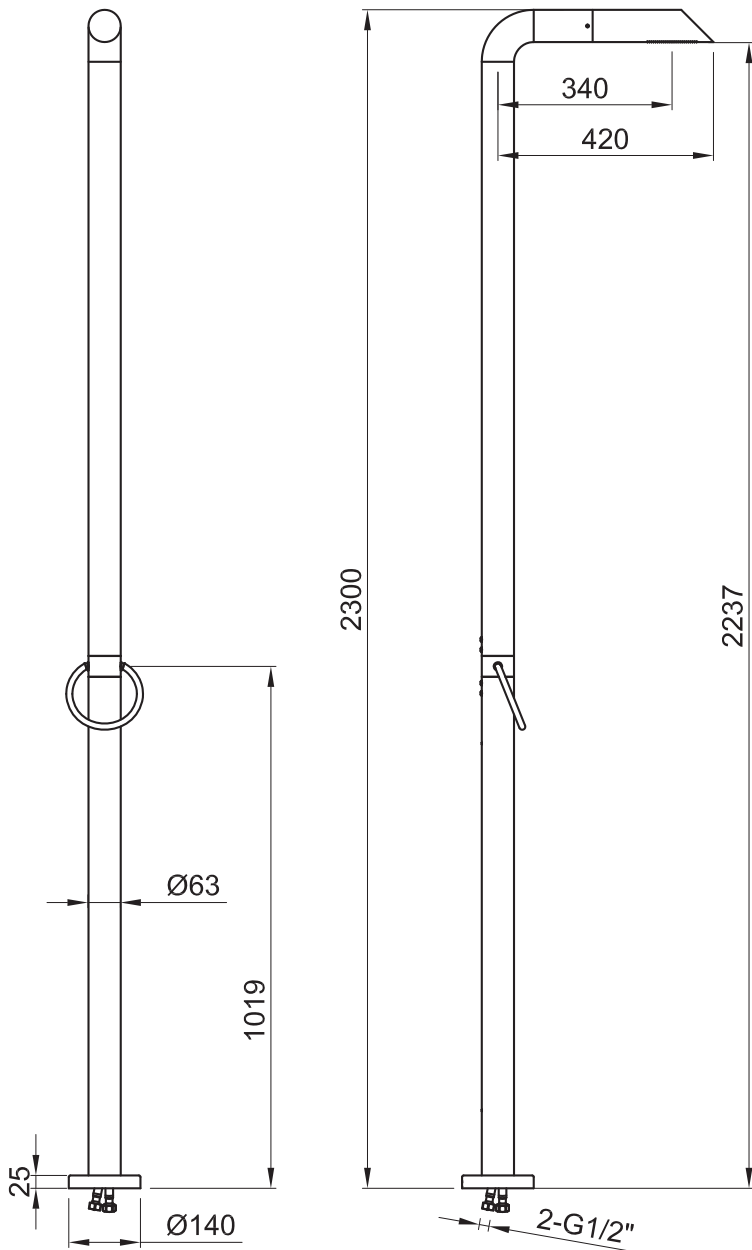




JEE-O pure shower 01



Article code:	300-6100 ● Brushed	Connection:	2 x G 1/2" (ø15mm / 0.6") nylon ^(out) /epdm ⁽ⁱⁿ⁾ flexhose with brass swivel
Material:	Stainless Steel r316	Thread:	British Standard Pipe (BSP)
Cleaning instructions:	download JEE-O shower and taps manual on our website: www.jee-o.com	Dimension package:	L 158 x W 18 W 54 x H 16 cm
Cartridge:	Sedal/Kerox ceramic mixing mechanism (35mm), item code 005-0101	Total weight:	11.5 kg
Flow at water of 38°C:	12L p/m at 3Bar pressure	Package weight:	2.0 kg
Pressure:	Recommended working pressure 3Bar	Placing on a water-tight floor	
		7 year warranty - The general conditions can be found on our website: www.jee-o.com/downloads	
		HS code:	84818011900
		Approvals:	SLS BS EN 817