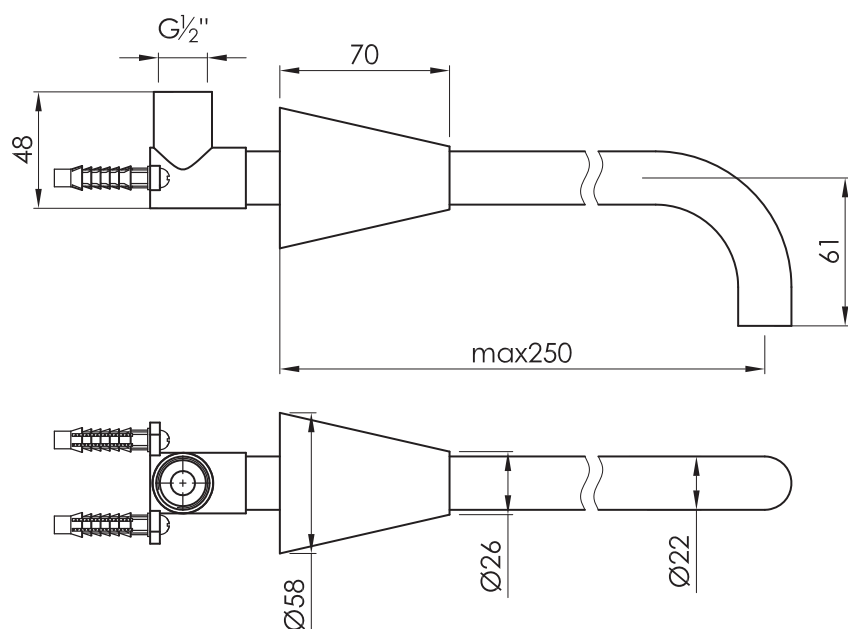




JEE-O cone spout



Article code:

900-3900

● Brushed

900-3906

● PVD coated gun metal

Material:

Stainless Steel r304

Cleaning instructions:

download JEE-O shower and taps manual on our website: www.jee-o.com

Flow at water of 38°C:

Available soon

Connection:

Thread:

G 1/2" (ø15mm / 0.6")
British Standard Pipe (BSP)

Dimension package:

Total weight:

Package weight:

L 30 x W 10 x H 7 cm

1.0 kg

0.1 kg

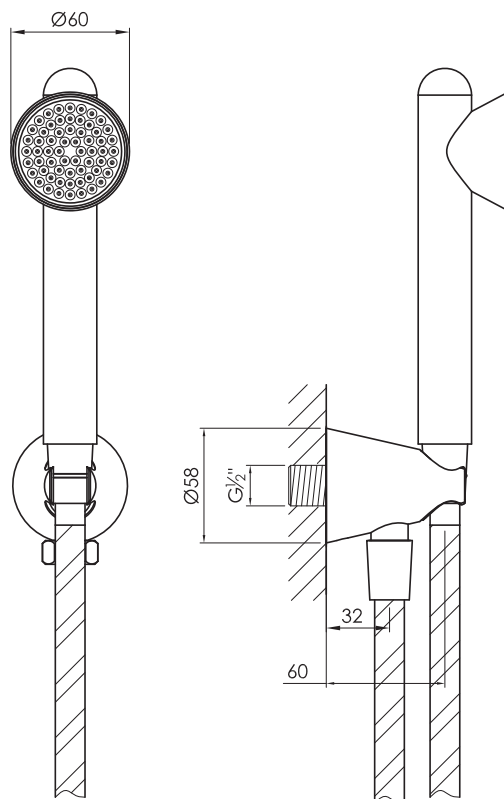
7 year warranty - The general conditions can be found on our website: www.jee-o.com/downloads

HS code:

84818011



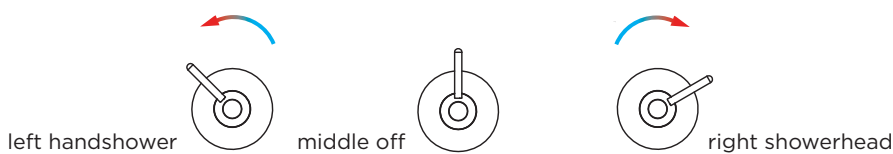
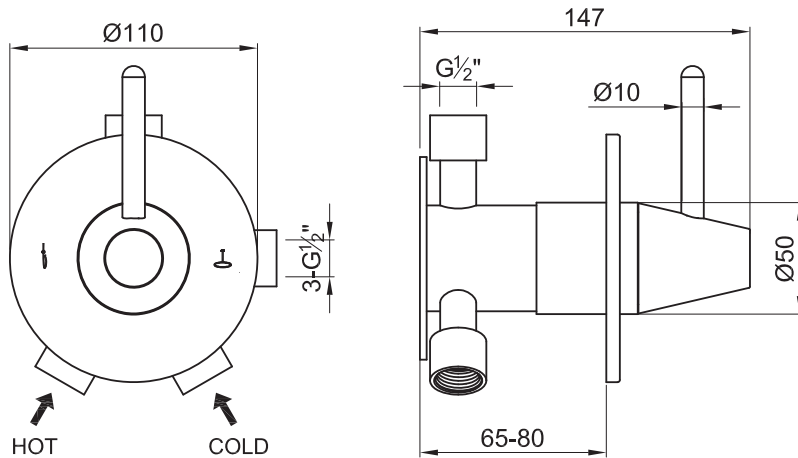
JEE-O cone wall hand shower



Article code:	900-6910 ● Brushed 900-6916 ● PVD coated gun metal	Connection:	G 1/2" (Ø15mm / 0.6") nylon ^(out) /epdm ⁽ⁱⁿ⁾ flexhose with brass swivel British Standard Pipe (BSP)
Material:	Stainless Steel r304	Thread:	
Cleaning instructions:	download JEE-O shower and taps manual on our website: www.jee-o.com	Dimension package:	L 37 x W 28 x H 10 CM
Pressure:	Recommended working pressure 3Bar	Total weight:	1.6 kg
Flexhose:	150 cm length	Package weight:	0.3 kg
		7 year warranty – The general conditions can be found on our website: www.jee-o.com/downloads	
		HS code:	84248970



JEE-O cone mixer two way valve



Article code:	900-2200 ● Brushed 900-2206 ● Gun metal	Connection:	4 x G $\frac{1}{2}$ " ($\text{Ø}15\text{mm}$ / 0.6")
Material:	Stainless Steel r304	Thread:	British Standard Pipe (BSP)
Cleaning instructions:	download JEE-O shower and taps manual on our website: www.jee-o.com	Dimension package:	L 25 x W 14 x H 14 cm
Cartridges:	Kerox ceramic diverter mechanism (progressive) item code 005-0203	Total weight:	1.9 kg
Flow at water of 38°C:	10l p/m at 3Bar pressure	Package weight:	0.4 kg
Pressure:	Recommended working pressure 3Bar	7 year warranty - The general conditions can be found on our website: www.jee-o.com/downloads	
		HS code:	84248970