

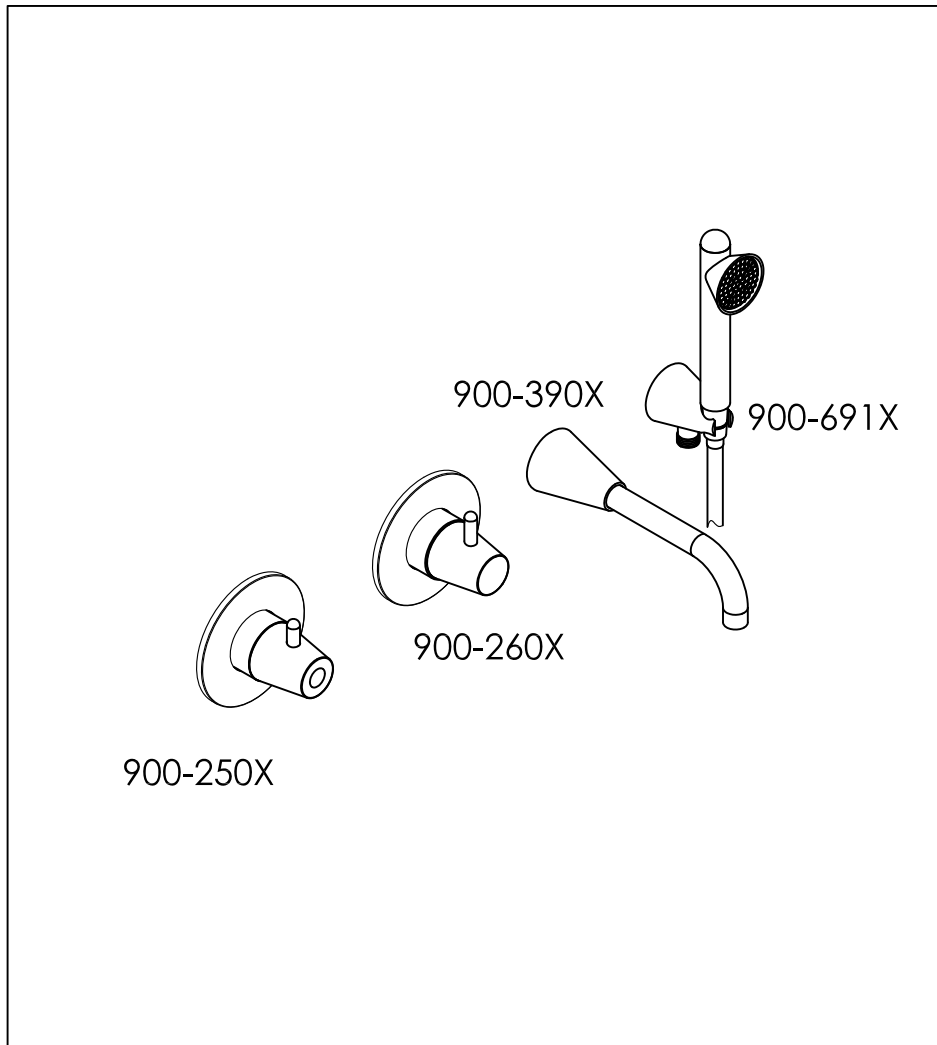


Cone bath combination 01
wall bath combination, stainless steel, with
thermostat, diverter, spout and hand shower

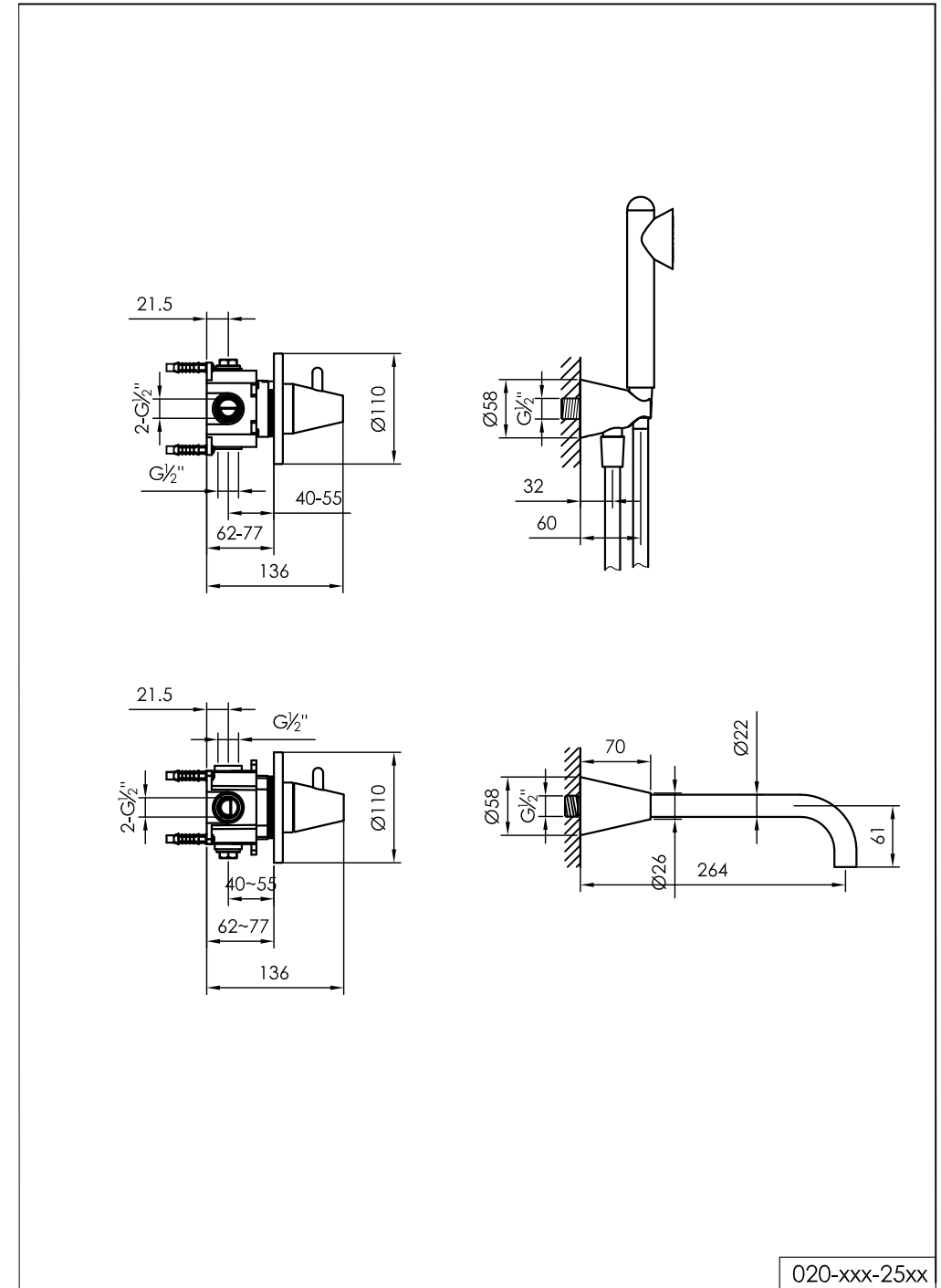
Cone bad combinatie 01
bad combinatie, rvs, met thermostaat, omsteller,
wand uitloop en wand handdouche

900-6470 / 900-6476

installation



technical diagram



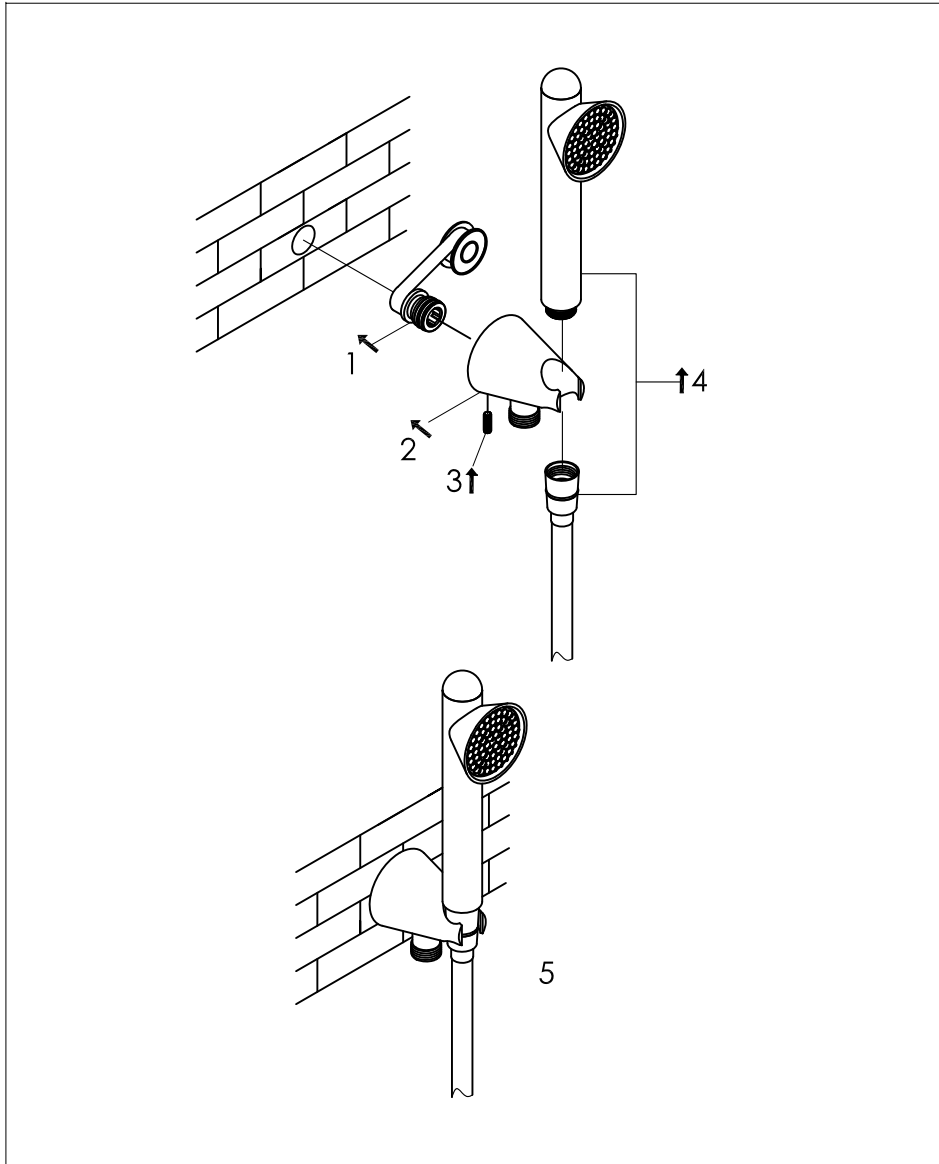


wall mounted hand shower set stainless steel
with integrated wall elbow

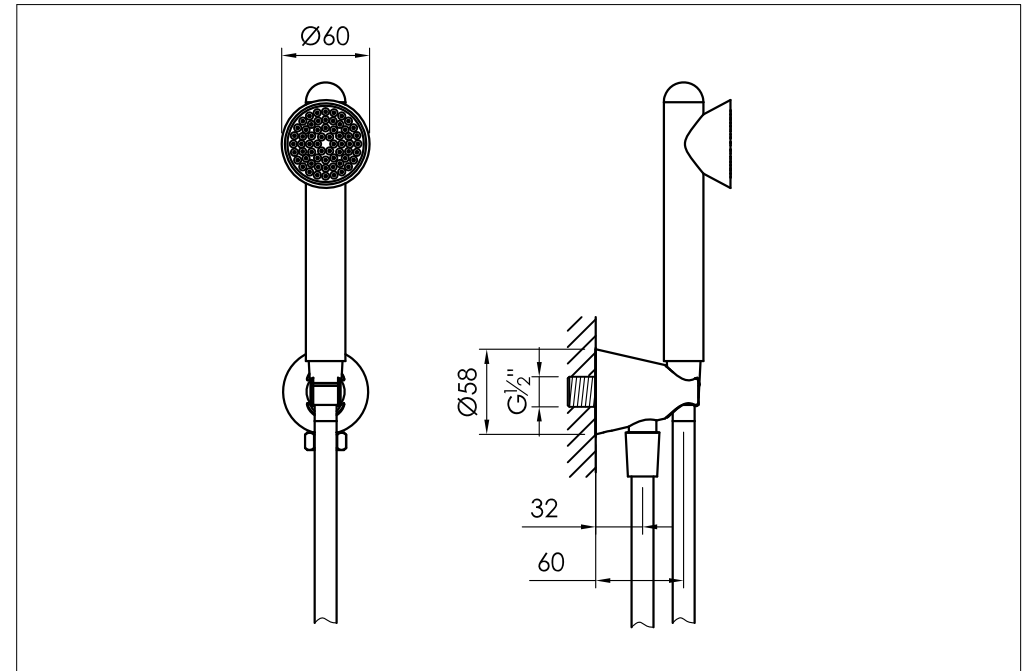
wand handdouche rvs met geïntegreerde houder

900-6910 / 900-6916

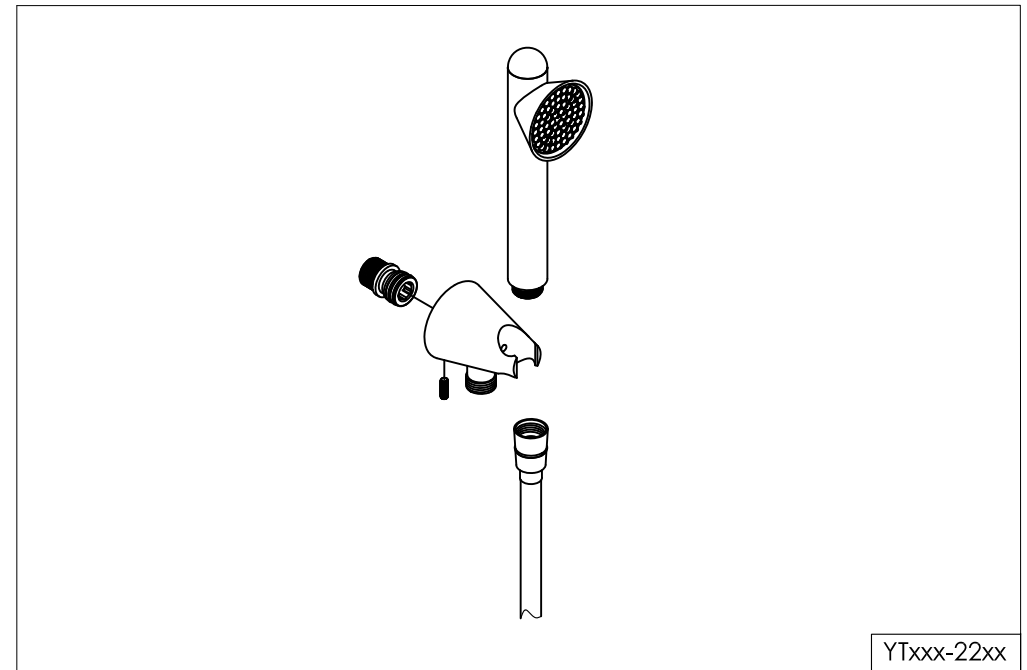
installation



technical diagram



explosion diagram



YTxxx-22xx

www.jee-o.com

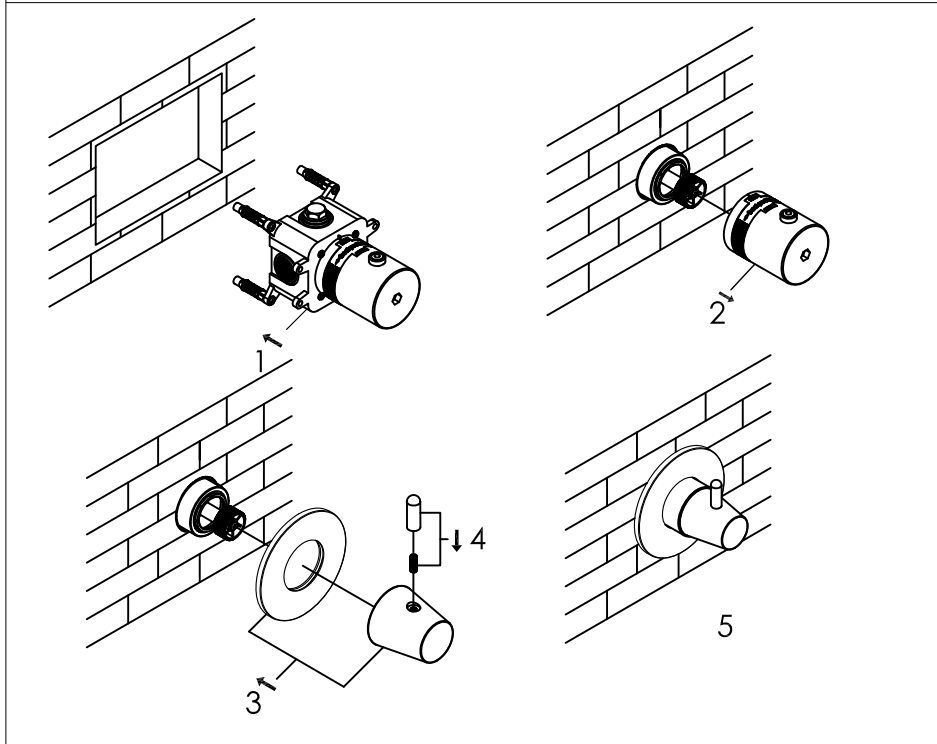
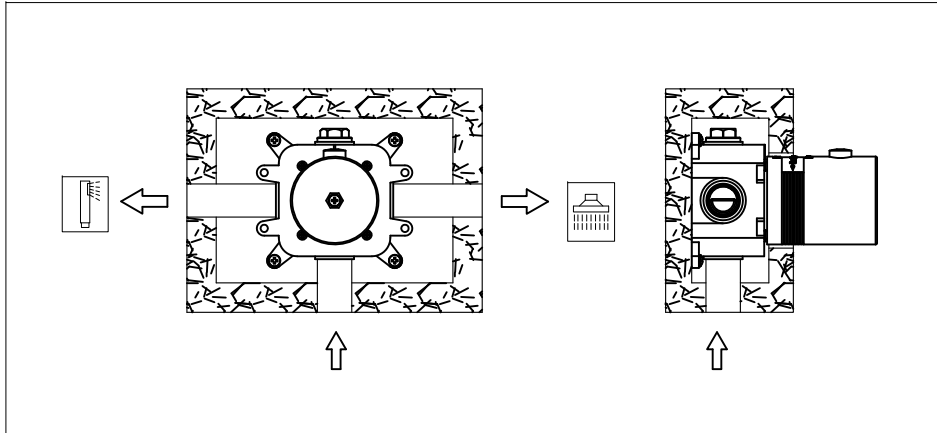


wall mounted bath/shower diverter stainless steel
with concealed body

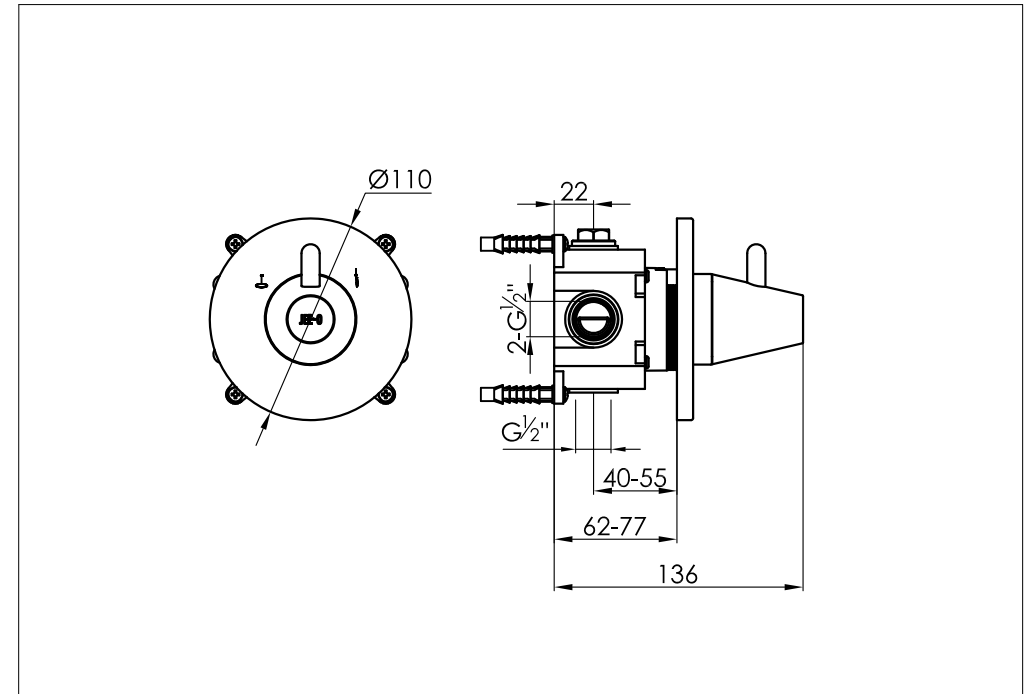
wand bad of douche omsteller rvs met inbouwdeel

900-2600 / 900-2606

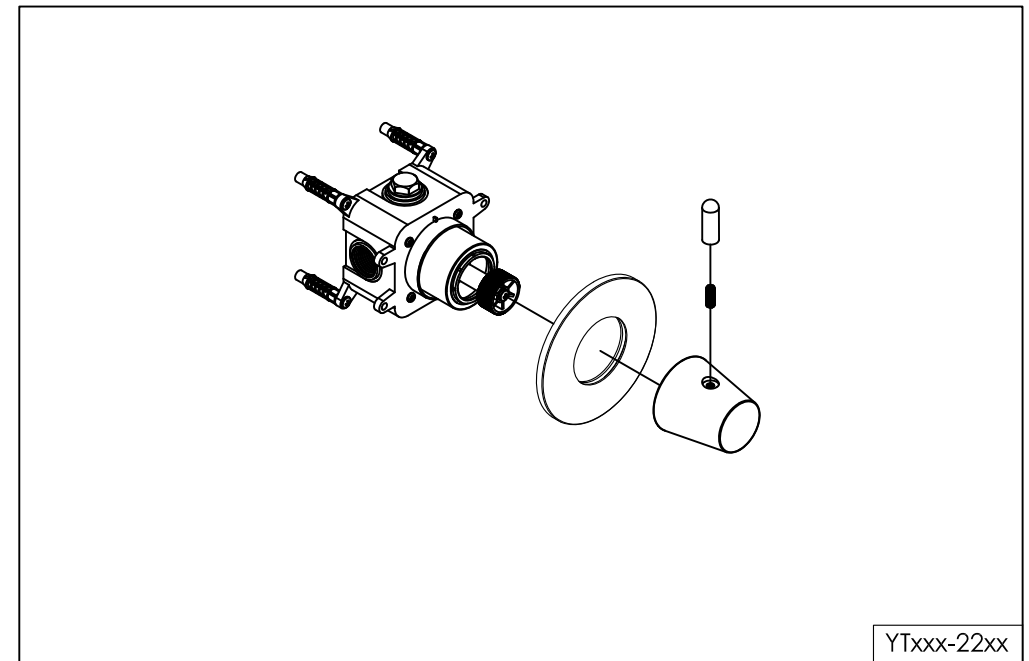
installation



technical diagram



explosion diagram



YTxxx-22xx

www.jee-o.com

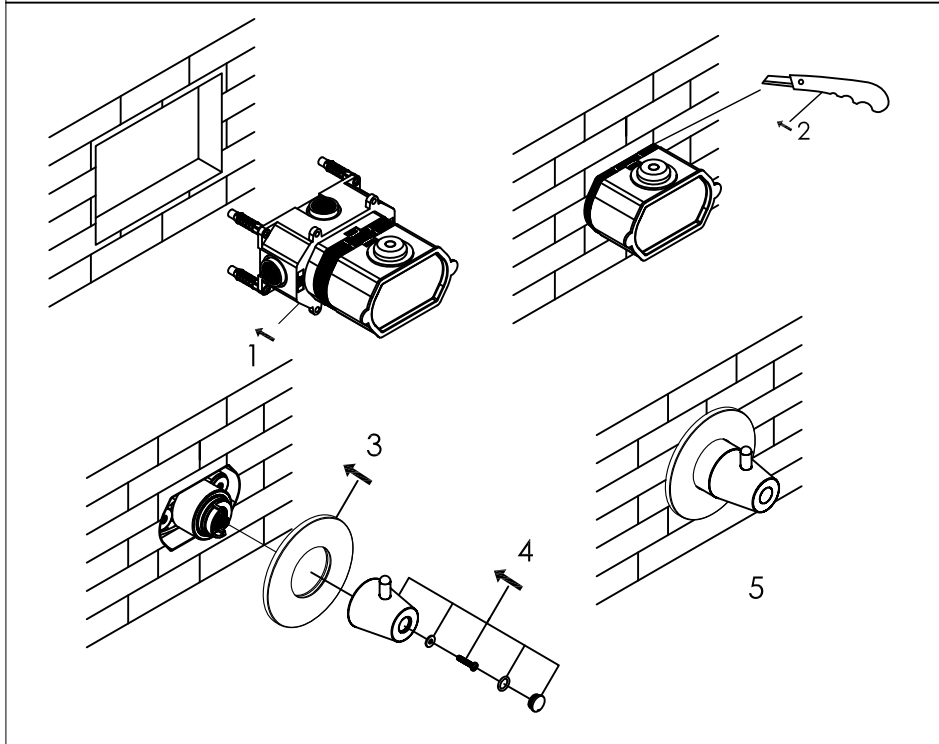
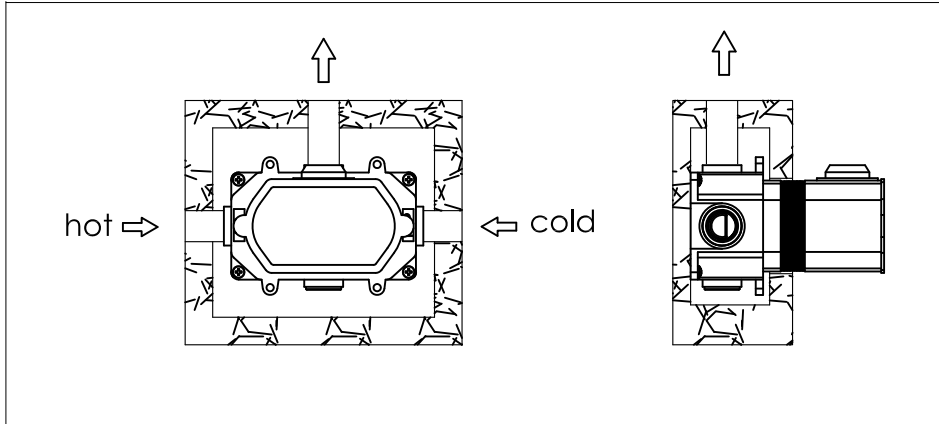


wall mounted thermostatic mixer stainless steel
with concealed body

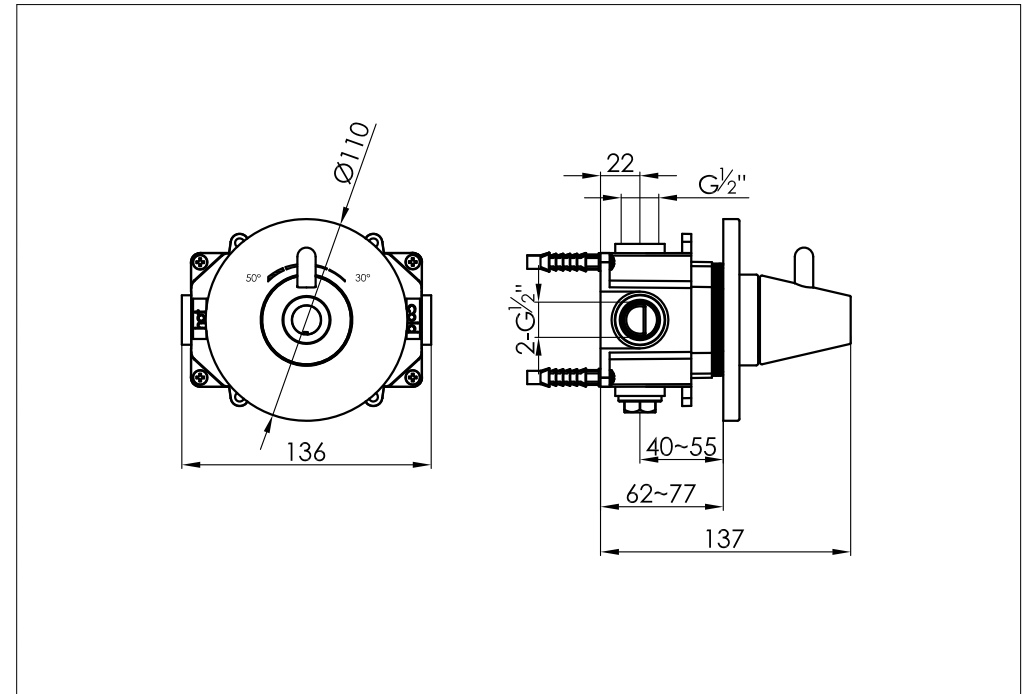
wand inbouwthermostaat rvs

900-2500 / 900-2506

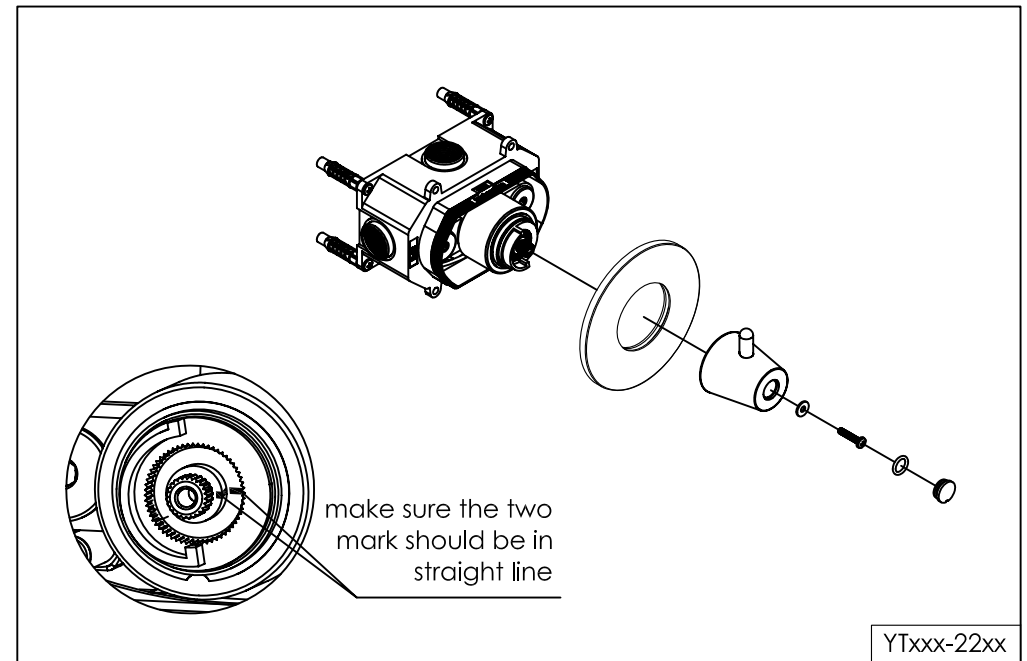
installation



technical diagram



explosion diagram



NOTE! The rosette diameter is $\varnothing 110\text{mm}$.
Cut tiles within this diameter.



rosette diameter 110mm



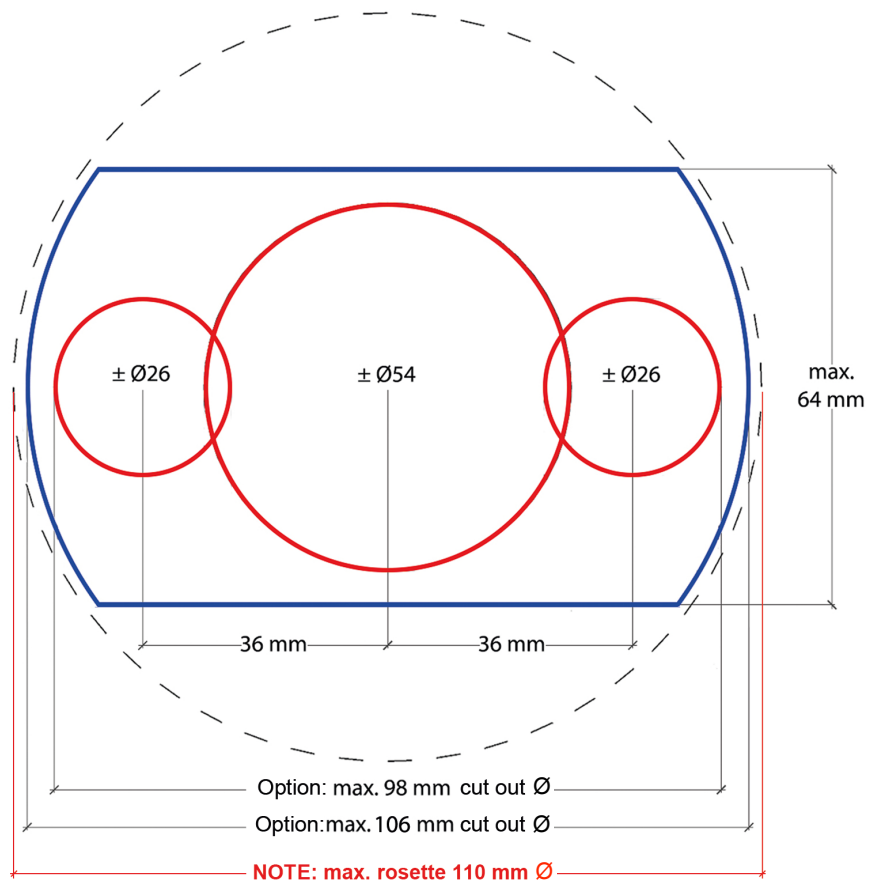
tile cutting suggestion option 1 (concealed body)



tile cutting suggestion option 2

900-250X CONE THERMOSTAT

Wall mounted thermostatic mixer. Stainless steel with concealed body. All colour finishes.



Disclaimer:

Always follow applicable guidelines and regulations for installation. These notifications and suggestions do not replace any installation manual. Installation should be carried out by certified plumber.