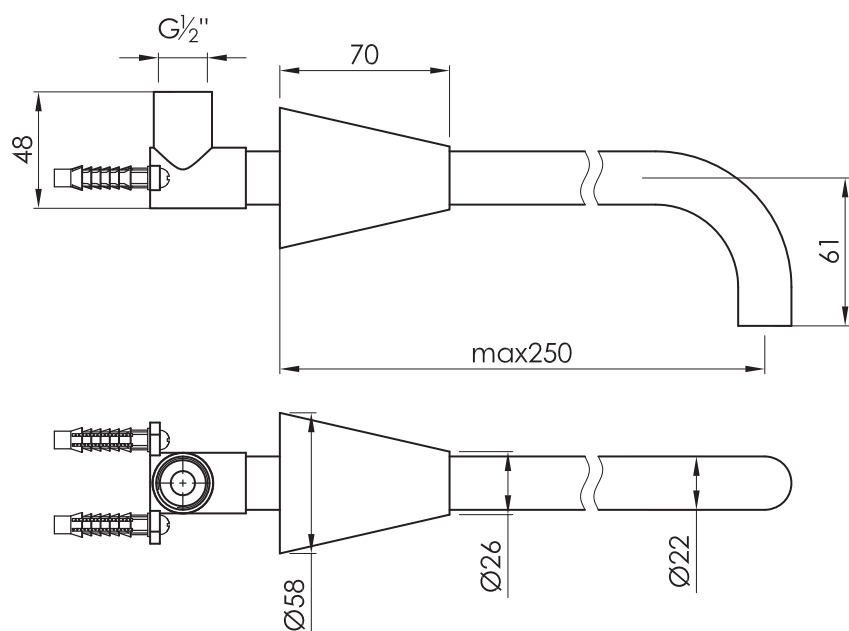




JEE-O cone spout



Article code:

900-3900

● Brushed

900-3906

● PVD coated gun metal

Material:

Stainless Steel r304

Cleaning instructions:

download JEE-O shower and taps manual on our website: www.jee-o.com

Flow at water of 38°C:

Available soon

Connection:

Thread:

G 1/2" (ø15mm / 0.6")

British Standard Pipe (BSP)

Dimension package:

Total weight:

Package weight:

L 30 x W 10 x H 7 cm

1.0 kg

0.1 kg

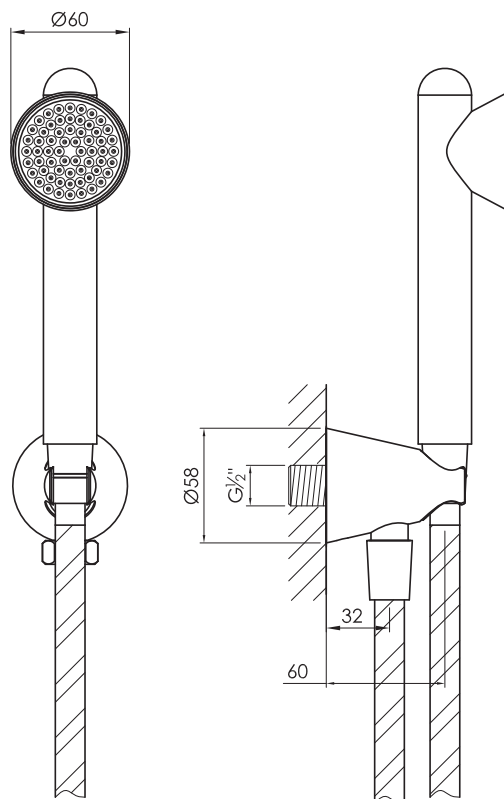
7 year warranty - The general conditions can be found on our website: www.jee-o.com/downloads

HS code:

84818011



JEE-O cone wall hand shower



Article code: **900-6910**
● Brushed
900-6916
● PVD coated gun metal

Material: Stainless Steel r304

Cleaning instructions: download JEE-O shower and taps manual on our website: www.jee-o.com

Pressure: Recommended working pressure 3Bar

Flexhose: 150 cm length

Connection: G 1/2" (Ø15mm / 0.6") nylon^(out)/epdm⁽ⁱⁿ⁾ flexhose with brass swivel British Standard Pipe (BSP)

Thread:

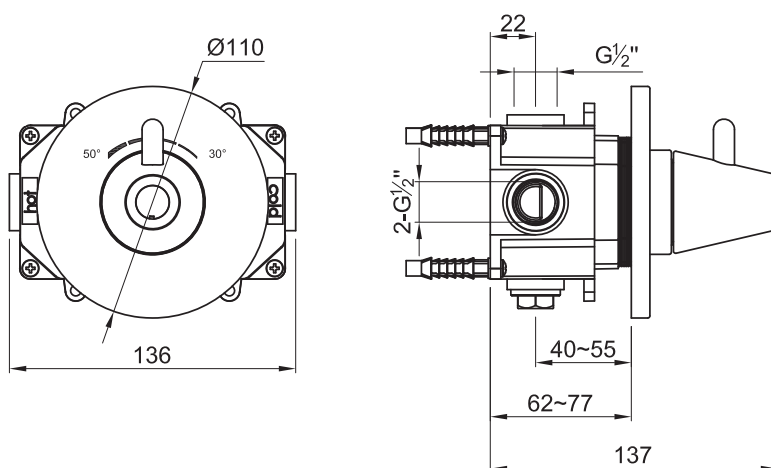
Dimension package: L 37 x W 28 x H 10 CM
Total weight: 1.6 kg
Package weight: 0.3 kg

7 year warranty – The general conditions can be found on our website: www.jee-o.com/downloads

HS code: 84248970



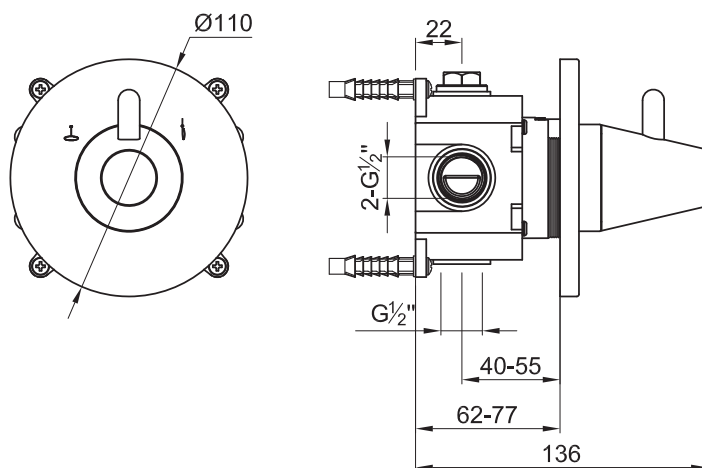
JEE-O cone thermostat



Article code:	900-2500 ● Brushed	Connection:	2 x G 1/2" (ø15mm / 0.6")
	900-2506 ● PVD coated gun metal	Thread:	British Standard Pipe (BSP)
Material:	Stainless Steel r304	Dimension package:	L 28 x W 18 x H 16 cm
Cleaning instructions:	download JEE-O shower and taps manual on our website: www.jee-o.com	Total weight:	1.9 kg
Cartridges:	Vernet mixing mechanism (thermostatic) item code 005-0501	Package weight:	0.4 kg
Flow at water of 38°C:	12l p/m at 3Bar pressure	7 year warranty – The general conditions can be found on our website: www.jee-o.com/downloads	
Pressure:	Recommended working pressure 3Bar	HS code:	84248970



JEE-O cone diverter



Article code:	900-2600 ● Brushed 900-2606 ● PVD coated gun metal	Connection:	2 x G 1/2" (Ø15mm / 0.6")
Material:	Stainless Steel r304	Thread:	British Standard Pipe (BSP)
Cleaning instructions:	download JEE-O shower and taps manual on our website: www.jee-o.com	Dimension package:	L 25 x W 18 x H 16 cm
Cartridges:	Fluhs ceramic diverter mechanism item code 005-0601	Total weight:	1.6 kg
Flow at water of 38°C:	11l p/m at 3Bar pressure	Package weight:	0.3 kg
Pressure:	Recommended working pressure 3Bar	7 year warranty – The general conditions can be found on our website: www.jee-o.com/downloads	
		HS code:	84248970