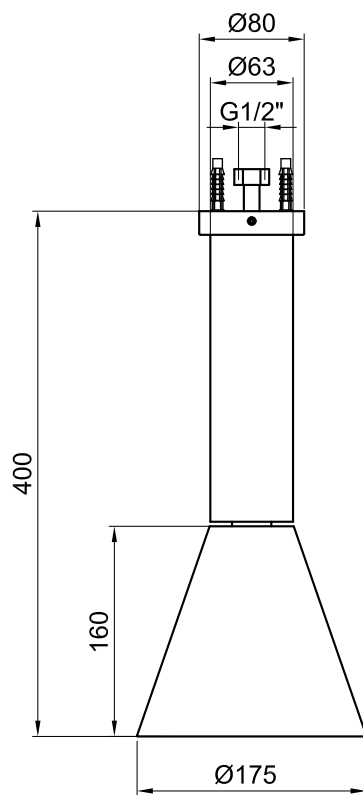




JEE-O cone ceiling shower



Article code:

900-6800

Brushed

900-6806

PVD coated gun metal

Material:

Stainless Steel r316

Cleaning instructions:

download JEE-O shower and taps manual on our website: www.jee-o.com

Flow at water of 38°C:

12l p/m at 3Bar pressure

Pressure:

Recommended working pressure 3Bar

Connection:

G 1/2" ($\text{Ø}15\text{mm}$ / 0.6")

Thread:

British Standard Pipe (BSP)

Dimension package:

L 50 x W 28 x H 22 cm

Total weight:

3.8 kg

Package weight:

1.2 kg

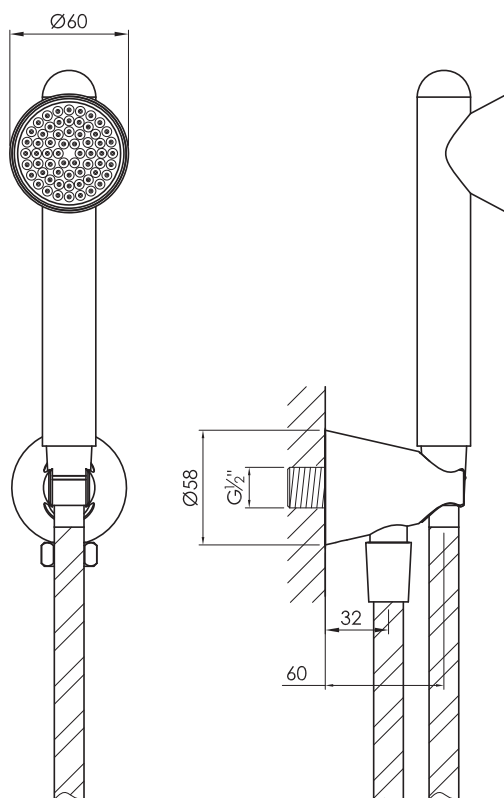
2 year warranty - The general conditions can be found on our website: www.jee-o.com/downloads

HS code:

84248970



JEE-O cone wall hand shower



Article code:

900-6910

● Brushed

900-6916

● PVD coated gun metal

Material:

Stainless Steel r304

Cleaning instructions:

download JEE-O shower and taps manual on our website: www.jee-o.com

Pressure:

Recommended working pressure 3Bar

Flexhose:

150 cm length

Connection:

G 1/2" (Ø15mm / 0.6")
nylon^(out)/epdm⁽ⁱⁿ⁾ flexhose
with brass swivel
British Standard Pipe (BSP)

Thread:

Dimension package:

L 37 x W 28 x H 10 CM

Total weight:

1.6 kg

Package weight:

0.3 kg

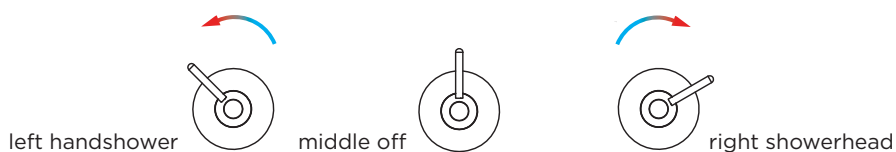
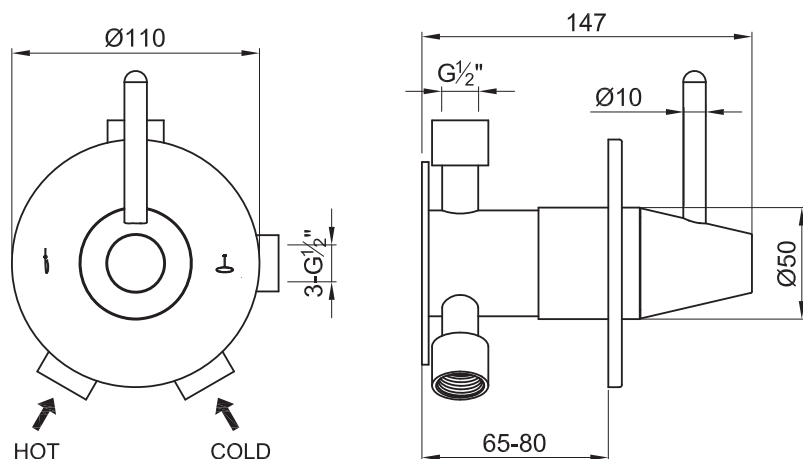
2 year warranty - The general conditions can be found on our website: www.jee-o.com/downloads

HS code:

84248970



JEE-O cone mixer two way valve



Article code:	900-2200 ● Brushed 900-2206 ● Gun metal	Connection:	4 x G $\frac{1}{2}$ " ($\text{Ø}15\text{mm}$ / 0.6")
Material:	Stainless Steel r304	Thread:	British Standard Pipe (BSP)
Cleaning instructions:	download JEE-O shower and taps manual on our website: www.jee-o.com	Dimension package:	L 25 x W 14 x H 14 cm
Cartridges:	Kerox ceramic diverter mechanism (progressive) item code 005-0203	Total weight:	1.9 kg
Flow at water of 38°C:	10l p/m at 3Bar pressure	Package weight:	0.4 kg
Pressure:	Recommended working pressure 3Bar	7 year warranty - The general conditions can be found on our website: www.jee-o.com/downloads	
		HS code:	84248970